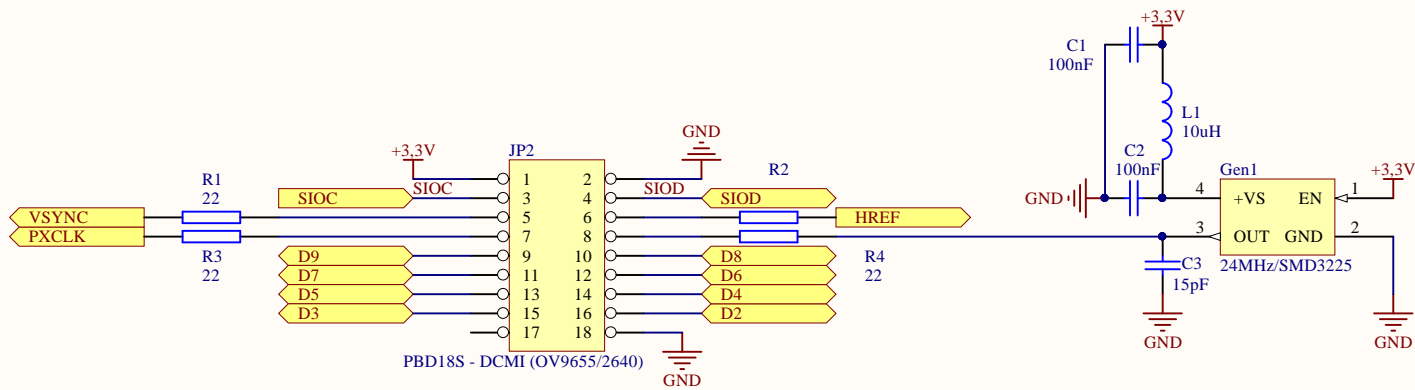
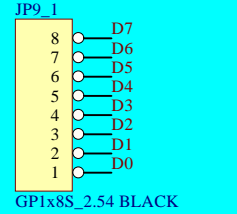
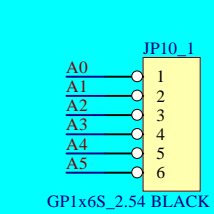
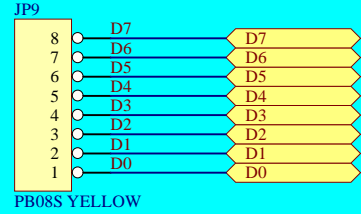
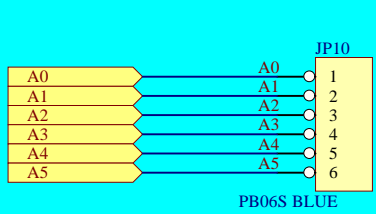
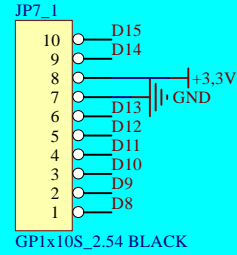
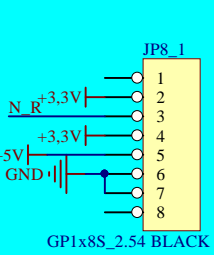
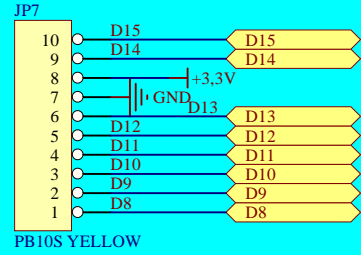
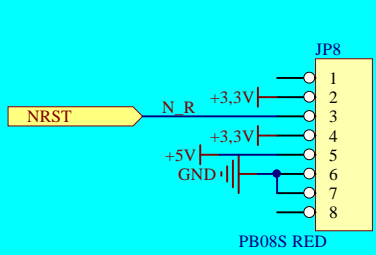
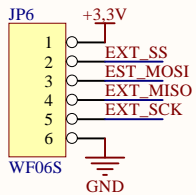
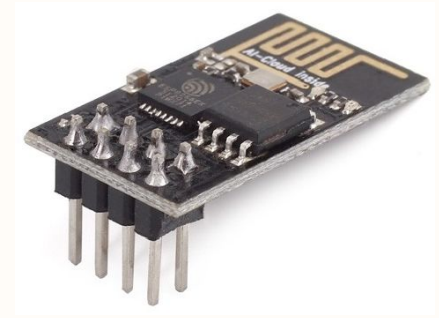
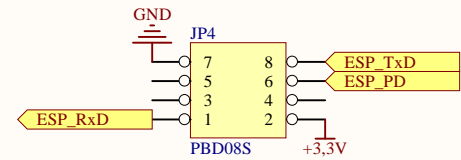
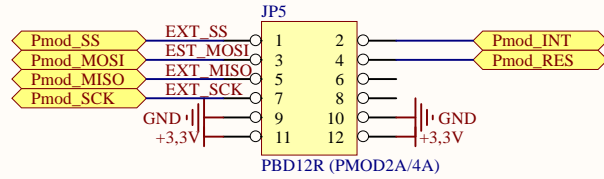
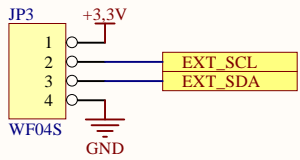


Title		
Size	Number	Revision
A4		
Date:	2018-02-21	Sheet of
File:	D:\STM32-new-board\AD2-connector.Sch Drawn By:	

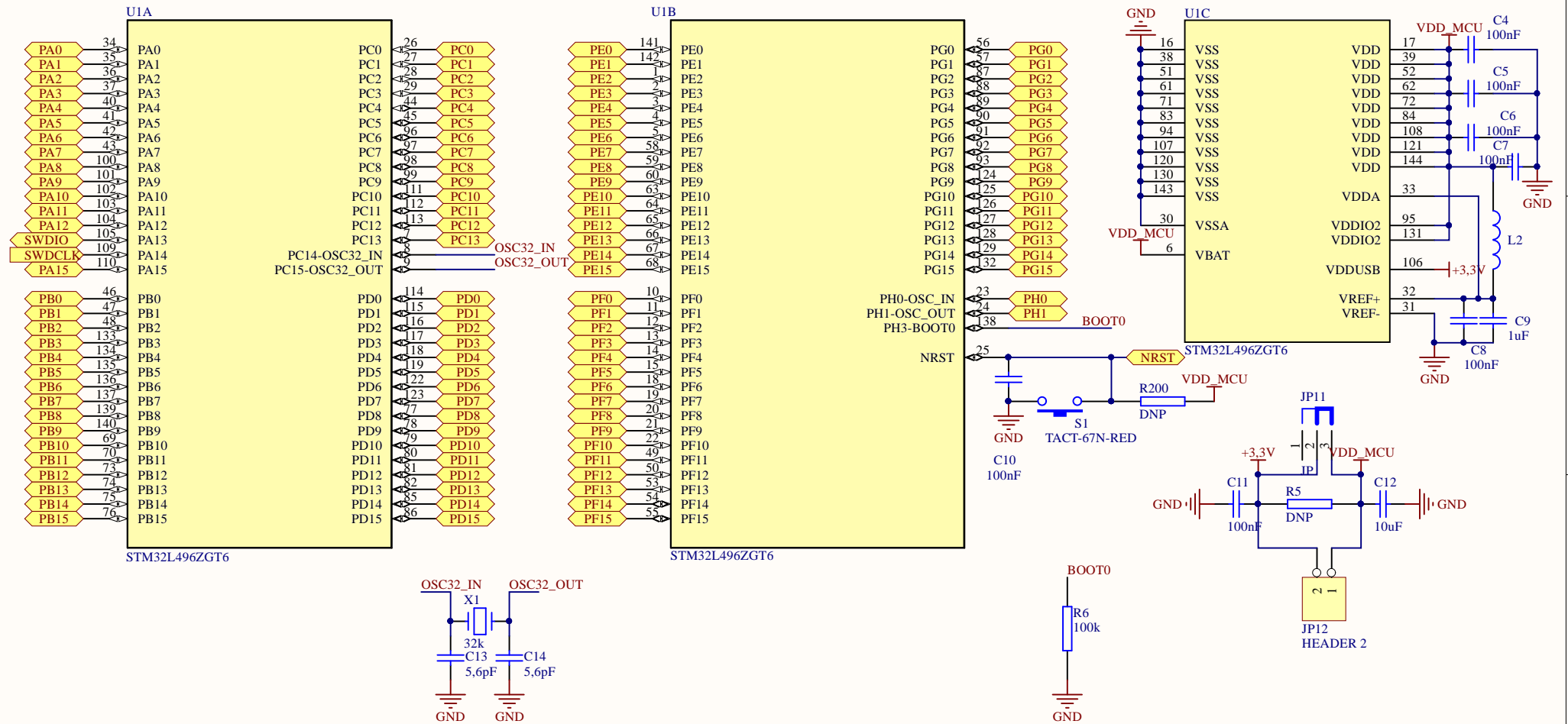


Title		
Size	Number	Revision
A4		
Date:	2018-02-21	Sheet of
File:	D:\STM32-new-board\CameraDCMI.Sch Drawn By:	

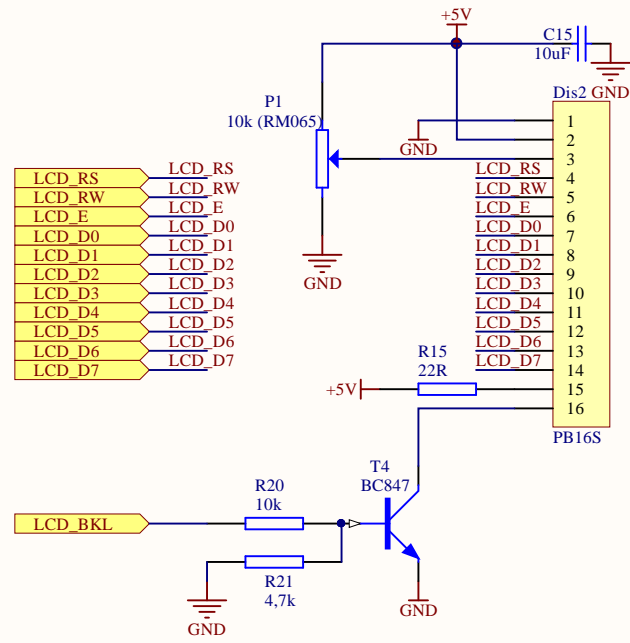
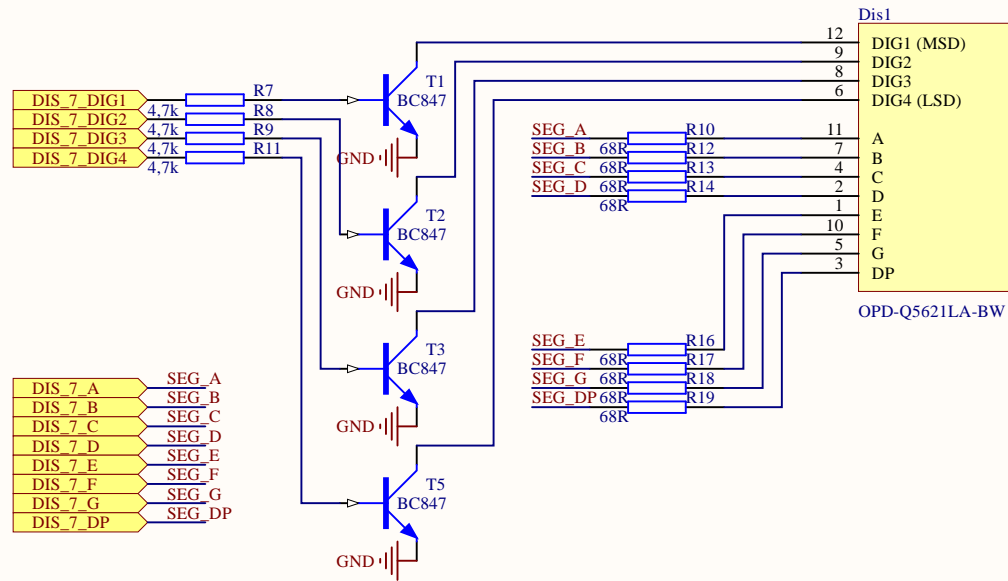


Arduino compatible connector

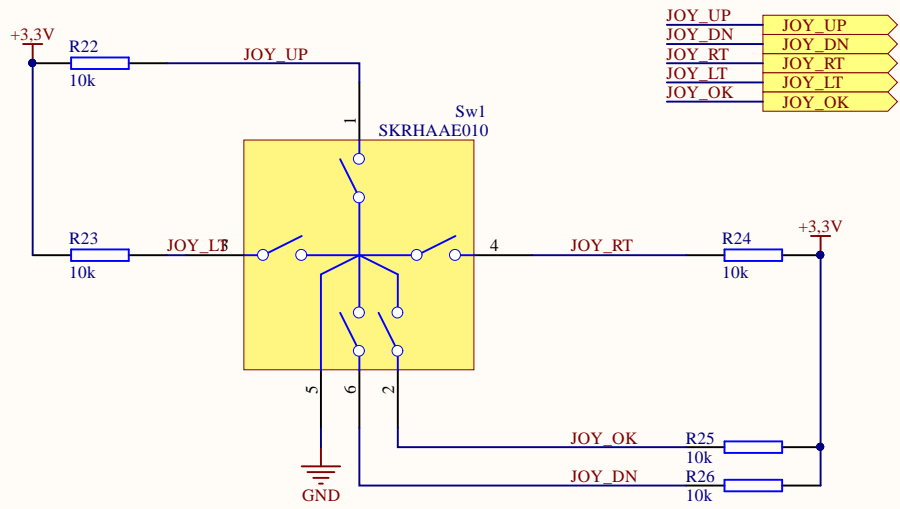
Title		
Size	Number	Revision
A4		
Date:	2018-02-21	Sheet of
File:	D:\STM32-new-board\connectors.SchDoc Drawn By:	



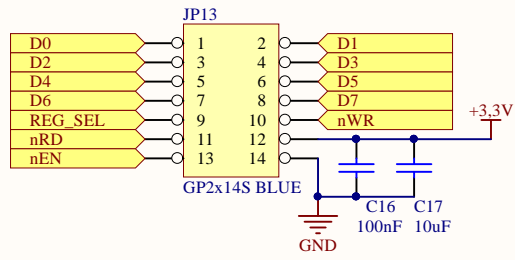
Title		
Size	Number	Revision
A4		
Date:	2018-02-21	Sheet of
File:	D:\STM32-new-board\CPU.SchDoc	Drawn By:



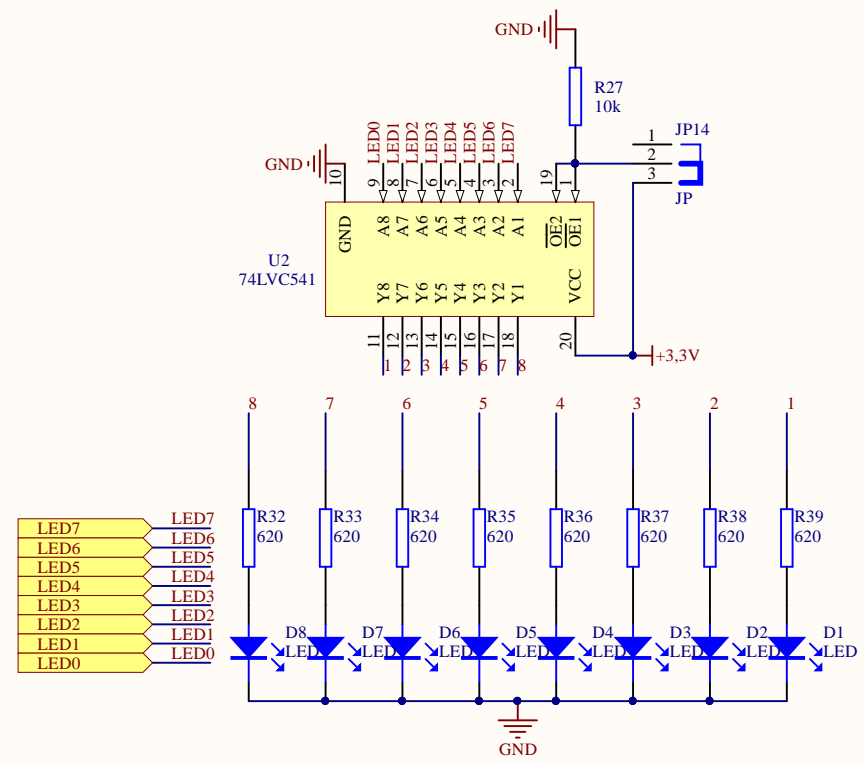
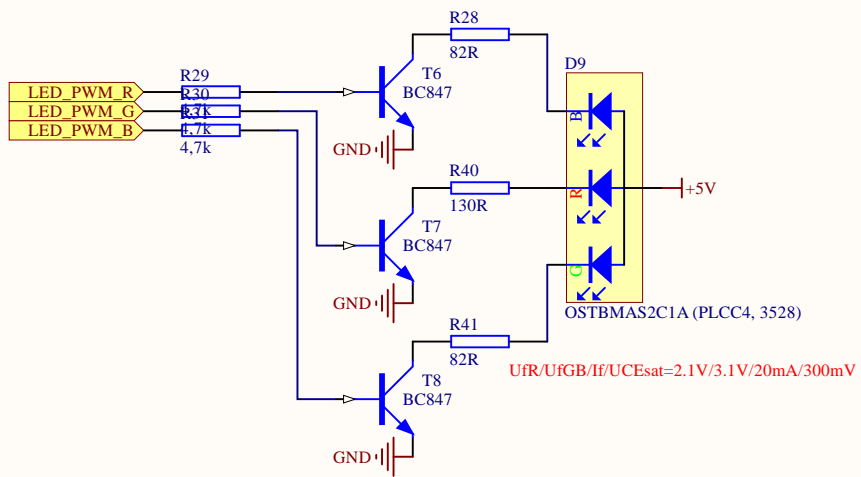
Title			
Size	A4	Number	Revision
Date:	2018-02-21	Sheet	of
File:	D:\STM32-new-board\displays.SchDoc	Drawn By:	



Title			
Size	Number		Revision
A4			
Date:	2018-02-21	Sheet	of
File:	D:\STM32-new-board\joystick.SchDoc	Drawn By:	

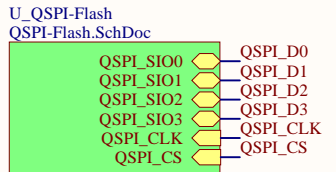
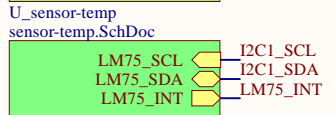
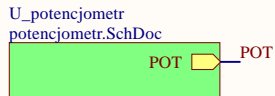
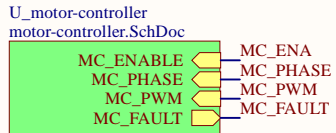
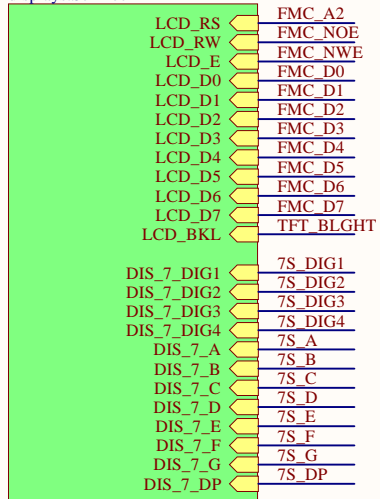


Title		
Size	Number	Revision
A4		
Date:	2018-02-21	Sheet of
File:	D:\STM32-new-board\LCD-TFT.SchDoc Drawn By:	

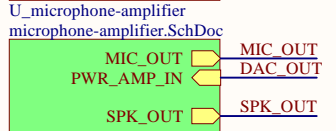
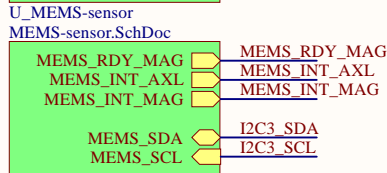
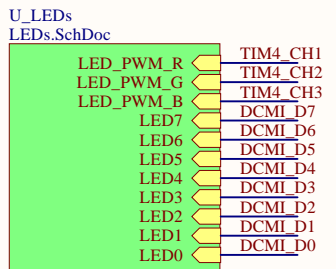
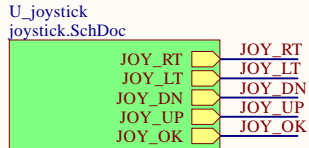
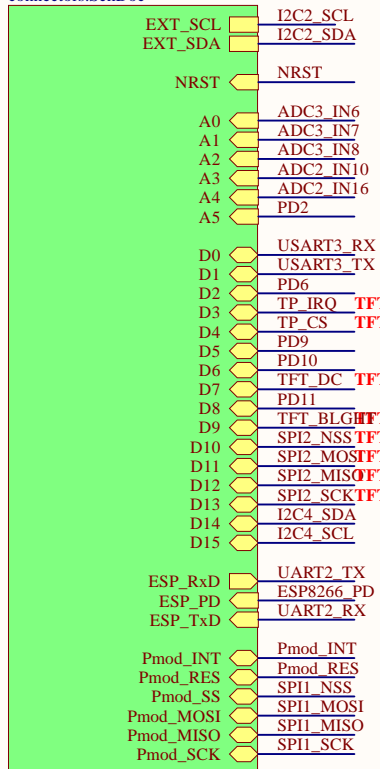


Title		
Size A4	Number	Revision
Date: 2018-02-21	Sheet of	
File: D:\STM32-new-board\LEDs.SchDoc	Drawn By:	

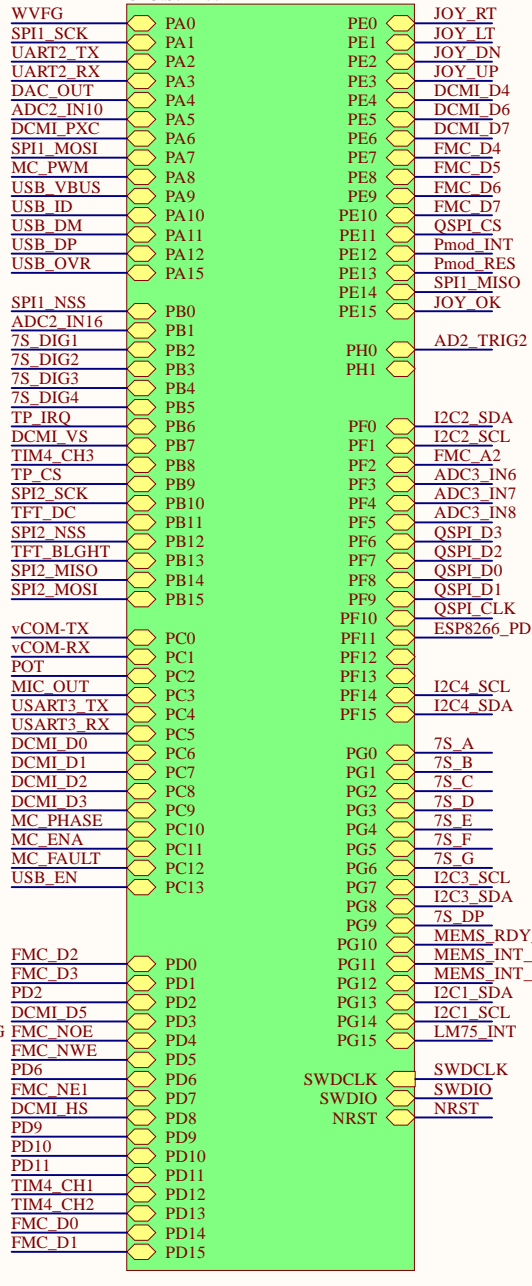
U_displays
displays.SchDoc



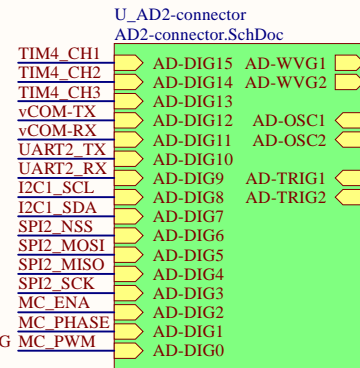
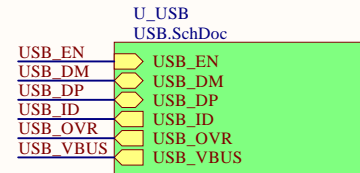
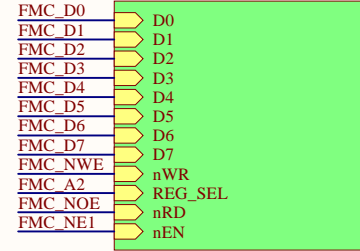
U_connectors
connectors.SchDoc



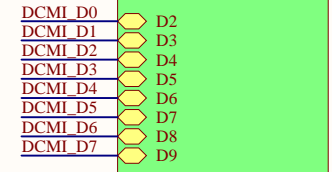
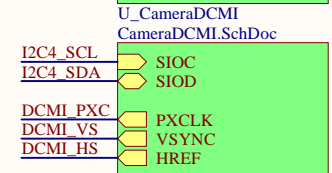
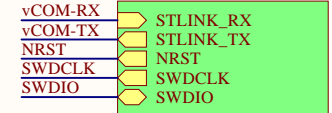
U_CPU
CPU.SchDoc



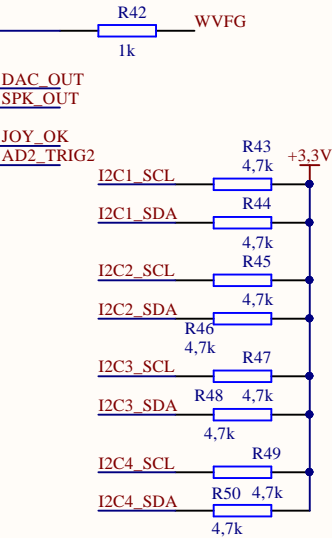
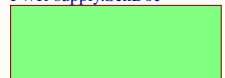
U_LCD-TFT
LCD-TFT.SchDoc



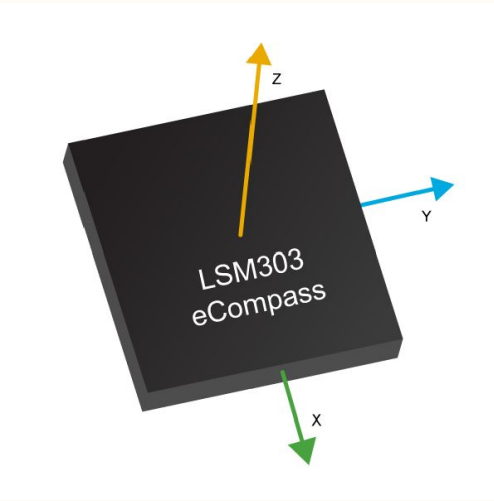
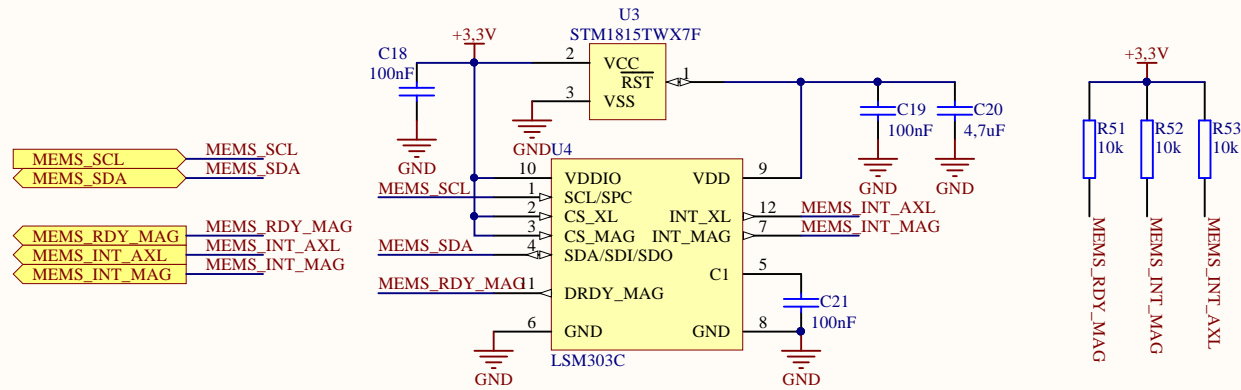
U_ST-LINK-PRG
ST-LINK-PRG.schdoc



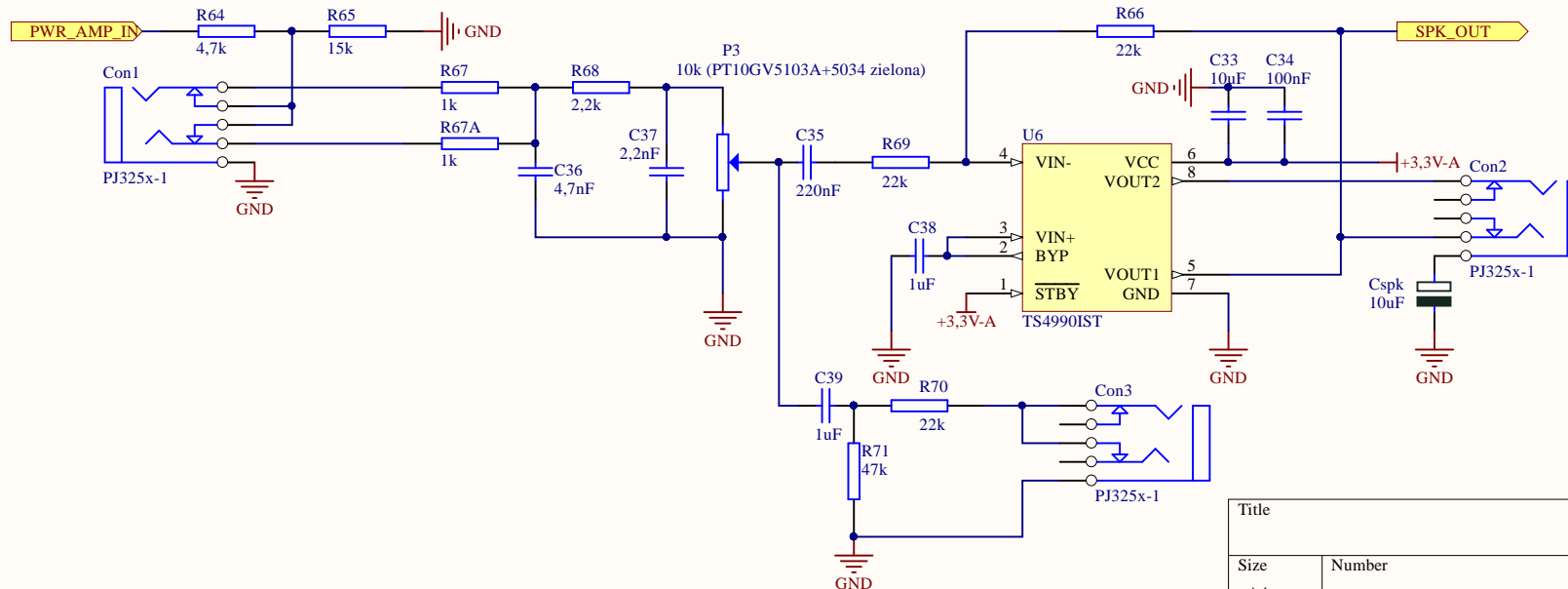
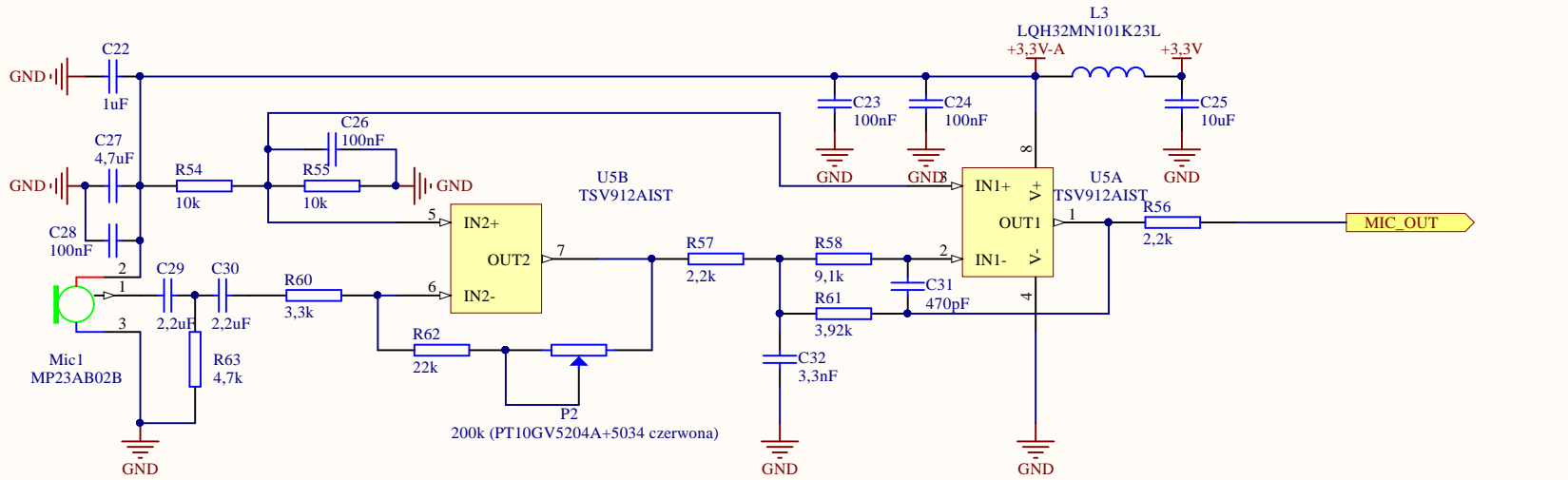
U_PWR-supply
PWR-supply.SchDoc



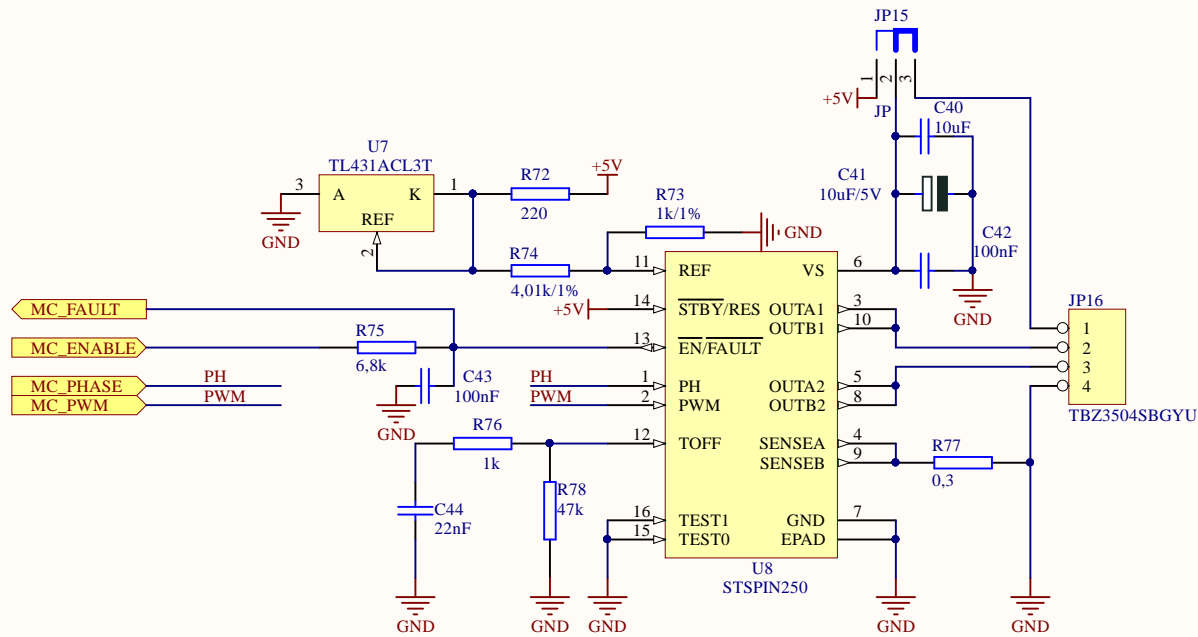
Title		
Size	Number	Revision
A4		
Date:	2018-02-21	Sheet of
File:	D:\STM32-new-board\MAIN.SchDoc	Drawn By:



Title		
Size	Number	Revision
A4		
Date:	2018-02-21	Sheet of
File:	D:\STM32-new-board\MEMS-sensor.SchDown By:	



Title		
Size	Number	Revision
A4		
Date:	2018-02-21	Sheet of
File:	D:\STM32-new-board\...microphone-amp\Doc	



Title		
Size	Number	Revision
A4		
Date:	2018-02-21	Sheet of
File:	D:\STM32-new-board\..motor-controller\Sheet By:	

1

2

3

4

A

A

B

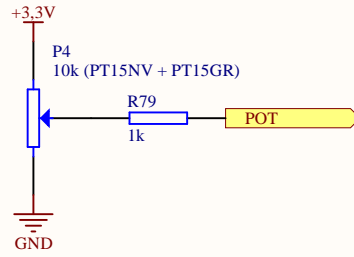
B

C

C

D

D



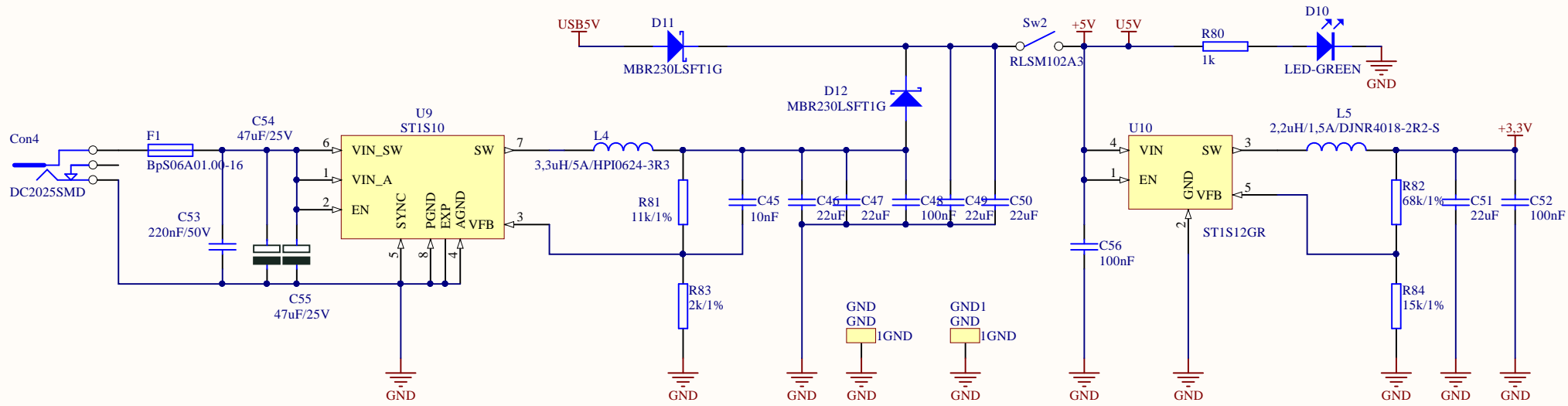
Title		
Size	Number	Revision
A4		
Date:	2018-02-21	Sheet of
File:	D:\STM32-new-board\potencjometr.SchD Drawn By:	

1

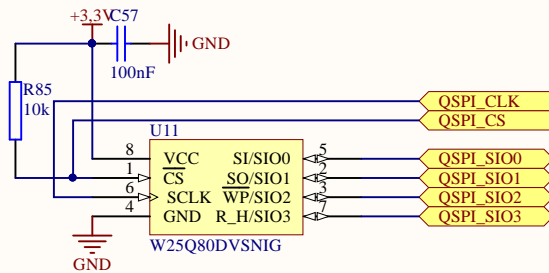
2

3

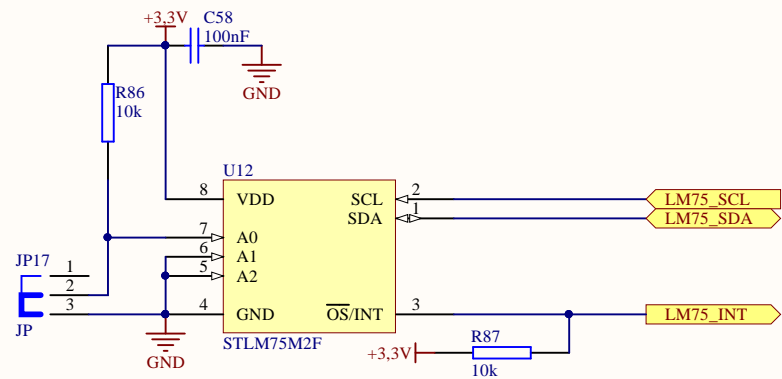
4



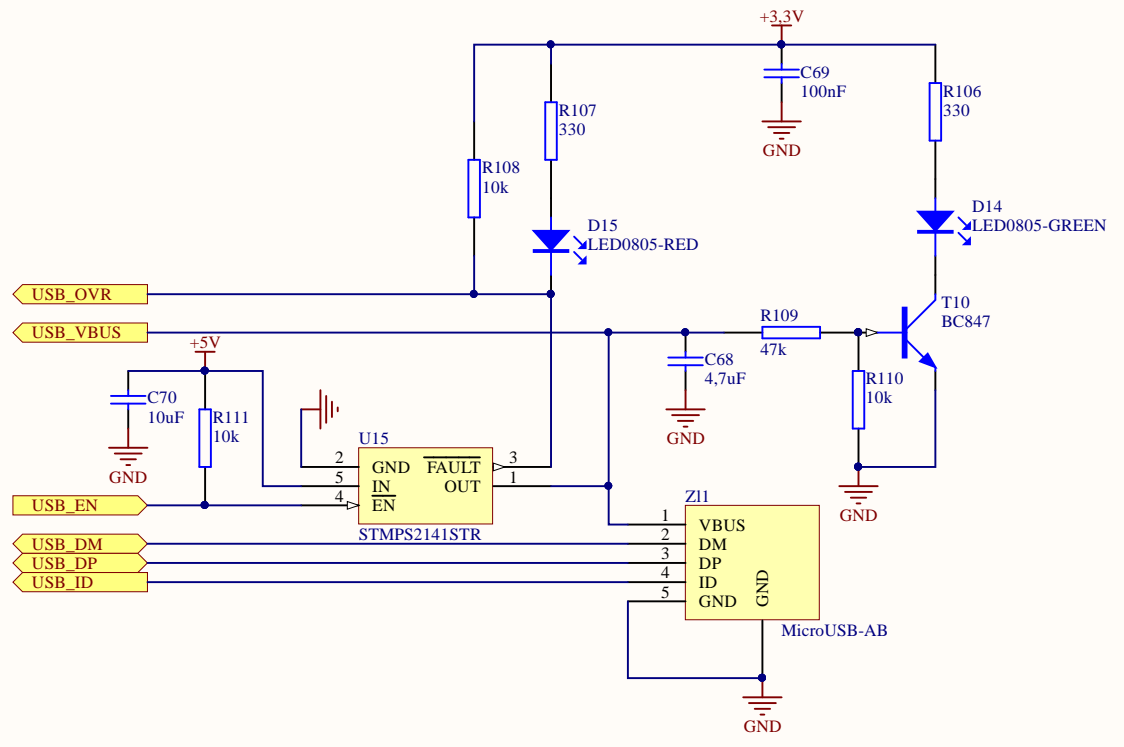
Title		
Size	Number	Revision
A4		
Date:	2018-02-21	Sheet of
File:	D:\STM32-new-board\PWR-supply.SchDoc Drawn By:	



Title		
Size	Number	Revision
A4		
Date:	2018-02-21	Sheet of
File:	D:\STM32-new-board\QSPI-Flash.SchDoc Drawn By:	



Title		
Size A4	Number	Revision
Date: 2018-02-21	Sheet of	
File: D:\STM32-new-board\sensor-temp.SchDoc	Drawn By:	



Title		
Size	Number	Revision
A4		
Date:	2018-02-21	Sheet of
File:	D:\STM32-new-board\USB.SchDoc	Drawn By: