

AT91SAM9263-EK Evaluation Board Rev. B

User Guide





Table of Contents

Section 1

Overview	1-1
1.1 Scope	1-1
1.2 How to Identify the PCB Revision	1-1
1.3 Deliverables	1-1
1.4 AT91SAM9263-EK Evaluation Board Rev. B	1-1

Section 2

Setting Up the AT91SAM9263-EK Board Rev. B	2-1
2.1 Electrostatic Warning	2-1
2.2 Requirements	2-1
2.3 Layout	2-1
2.4 Powering Up the Board	2-4
2.5 Backup Power Supply	2-4
2.6 Getting Started	2-4
2.7 AT91SAM9263-EK Block Diagram	2-5

Section 3

Board Description	3-1
3.1 AT91SAM9263 Microcontroller	3-1
3.2 AT91SAM9263 Block Diagram	3-4
3.3 Memory	3-5
3.4 Clock Circuitry	3-5
3.5 Reset Circuitry	3-5
3.6 Shutdown Controller	3-5
3.7 Power Supply Circuitry	3-5
3.8 Remote Communication	3-5
3.9 Audio Stereo Interface	3-6
3.10 User Interface	3-6
3.11 Debug Interface	3-6
3.12 Expansion Slot	3-6
3.13 PIO Usage	3-7

Section 4

Configuration	4-1
4.1 Configuration Jumpers and Straps	4-1

Section 5

Schematics.....	5-1
5.1 Schematics	5-1
<hr/>	
Section 6	
Warning	6-1
6.1 BMS Signal Sampling	6-1
<hr/>	
Section 7	
Revision History	7-1
7.1 Revision History	7-1



Section 1

Overview

1.1 Scope

The AT91SAM9263-EK evaluation kit enables the evaluation of and code development for applications running on an AT91SAM9263.

This guide focuses on the AT91SAM9263-EK board Rev. B as an evaluation platform.

1.2 How to Identify the PCB Revision

The PCB revision can be clearly identified by looking at the board copper marking on the bottom layer. The last character of the series indicates the revision. Thus if the series of characters ends with the letter “B” (e.g. 63PC0608021B), your board is Rev. B.

For Rev. A boards, refer to the corresponding [User Guide, lit. no. 6279](#), available on the Atmel web site.

1.3 Deliverables

The AT91SAM9263-EK package contains the following items:

- an AT91SAM9263-EK board Rev. B
- one A/B-type USB cable
- one serial RS232 cable
- one RJ45 crossed Ethernet cable
- one CD-ROM that allows the user to begin evaluating the AT91 ARM[®] Thumb[®] 32-bit microcontroller quickly.

1.4 AT91SAM9263-EK Evaluation Board Rev. B

The board is equipped with an AT91SAM9263 (324-ball LFBGA package) together with the following:

- 64 Mbytes of SDRAM memory
- 4 Mbytes of PSRAM memory on EBI1
- 256 Mbytes of NANDFlash memory
- One NOR Flash memory (footprint only)
- One 1.8” Hard disk connectors
- One TWI serial memory
- One USB device port interface
- Two USB Host port interfaces

Overview

- One RS232 serial communication port
- One DBGU serial communication port
- One serial CAN 2.0B communication port
- One JTAG/ICE debug interface
- One Ethernet 100-base TX with three status LEDs
- One AC97 Audio DAC
- One 3.5" 1/4 VGA TFT LCD Module with TouchScreen and backlight
- One ISI connector (camera interface)
- One Power LED and two general-purpose LEDs
- Two user input push buttons
- One Wakeup input push button
- One reset push button
- One DataFlash[®]/SD/SDIO/MMC card slot
- One SD/SDIO/MMC card slot
- One Lithium Coin Cell Battery Retainer for 12 mm cell size



Setting Up the AT91SAM9263-EK Board Rev. B

2.1 Electrostatic Warning

The AT91SAM9263-EK evaluation board Rev. B is shipped in protective anti-static packaging. The board must not be subjected to high electrostatic potentials. A grounding strap or similar protective device should be worn when handling the board. Avoid touching the component pins or any other metallic element.

2.2 Requirements

In order to set up the AT91SAM9263-EK evaluation board Rev. B, the following items are needed:

- the AT91SAM9263-EK evaluation board Rev. B itself
- AC/DC power adapter (12V at 1A), 2.1 mm by 5.5 mm

2.3 Layout

See [Figures 2-1 and 2-2](#).

Figure 2-1. AT91SAM9263-EK Layout - Top View

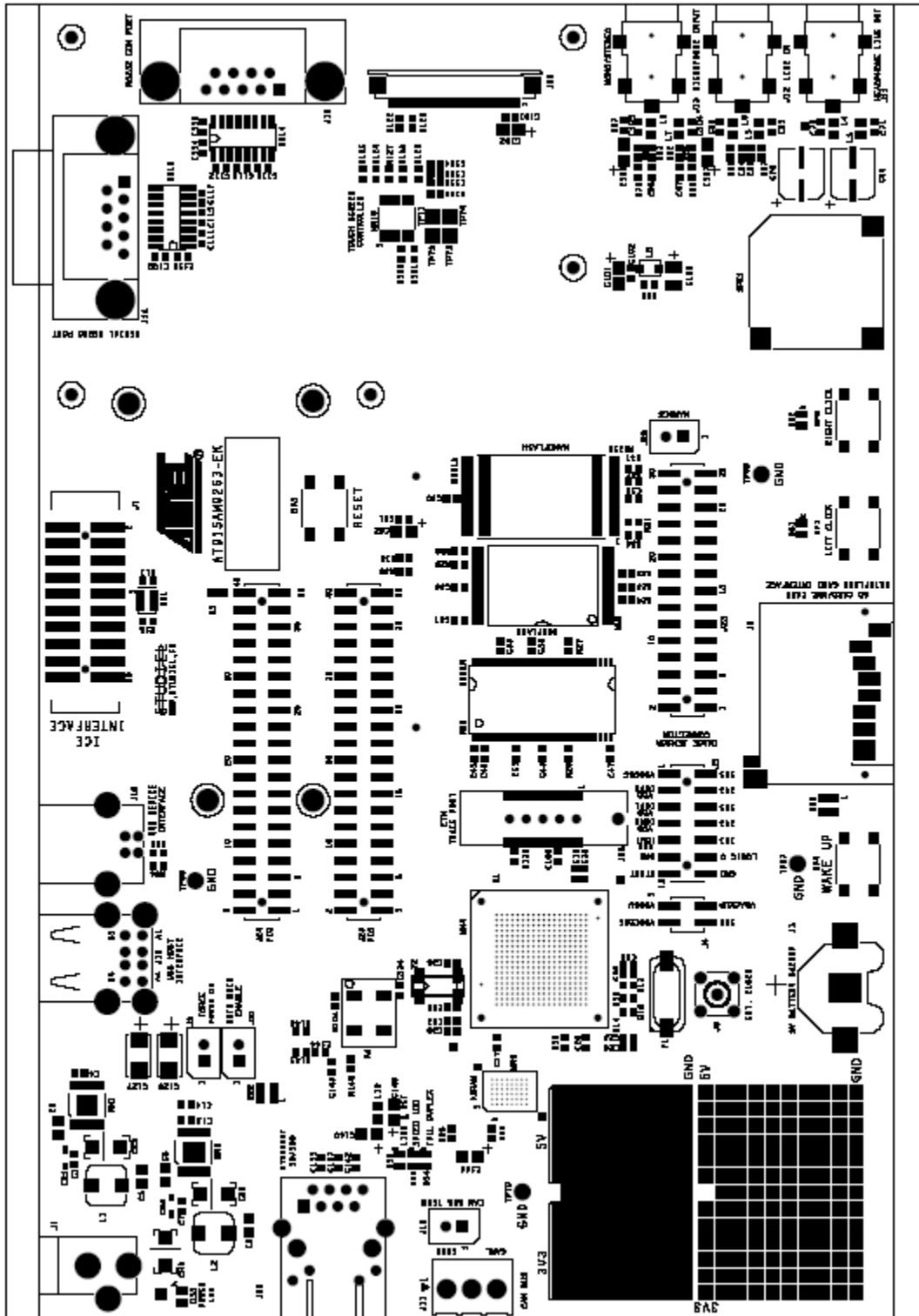
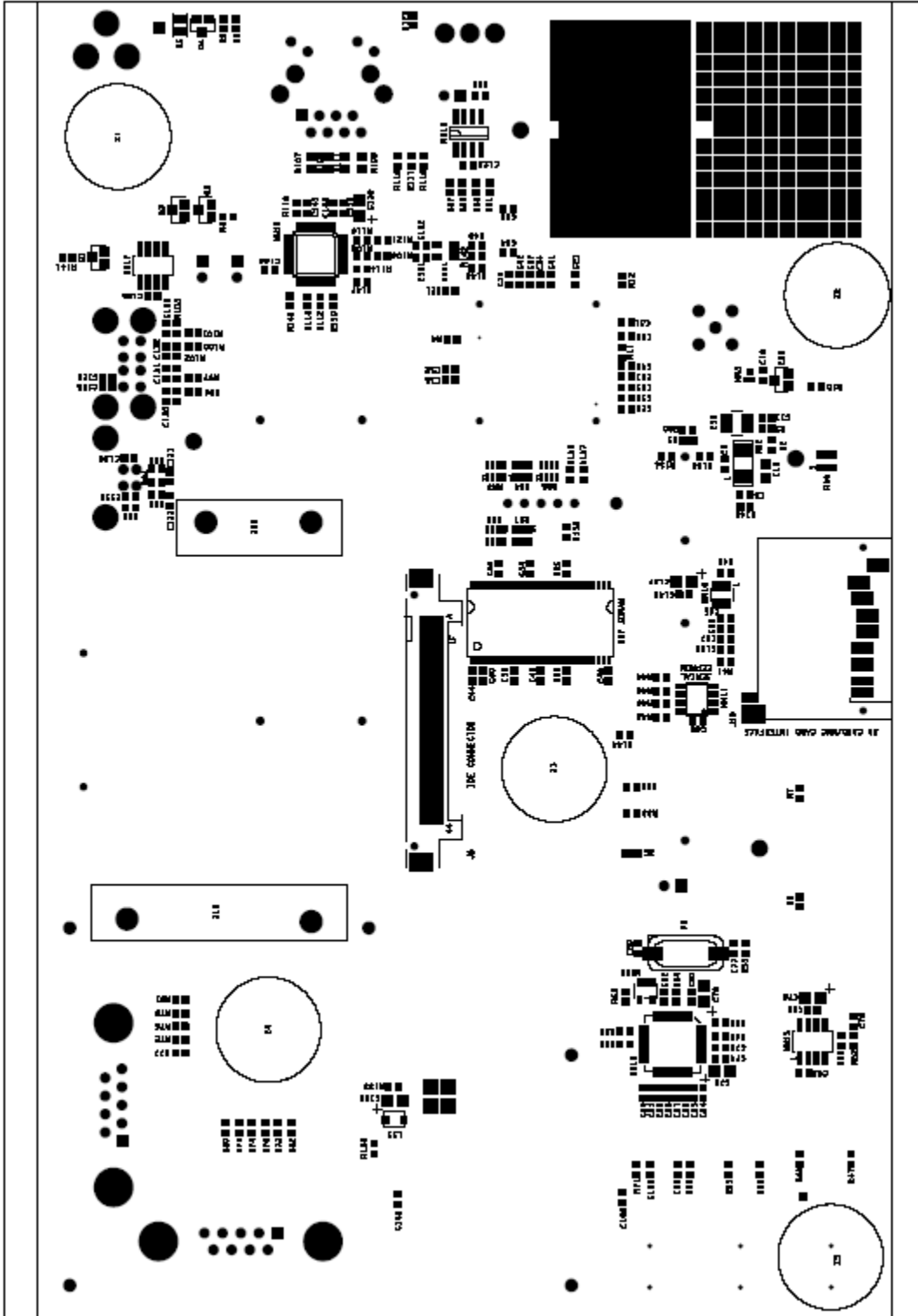


Figure 2-2. AT91SAM9263-EK Layout - Bottom View



2.4 Powering Up the Board

The AT91SAM9263-EK requires 12V DC. DC power is supplied to the board via the 2.1 mm by 5.5 mm socket J1. Coaxial plug center positive standard.

2.5 Backup Power Supply

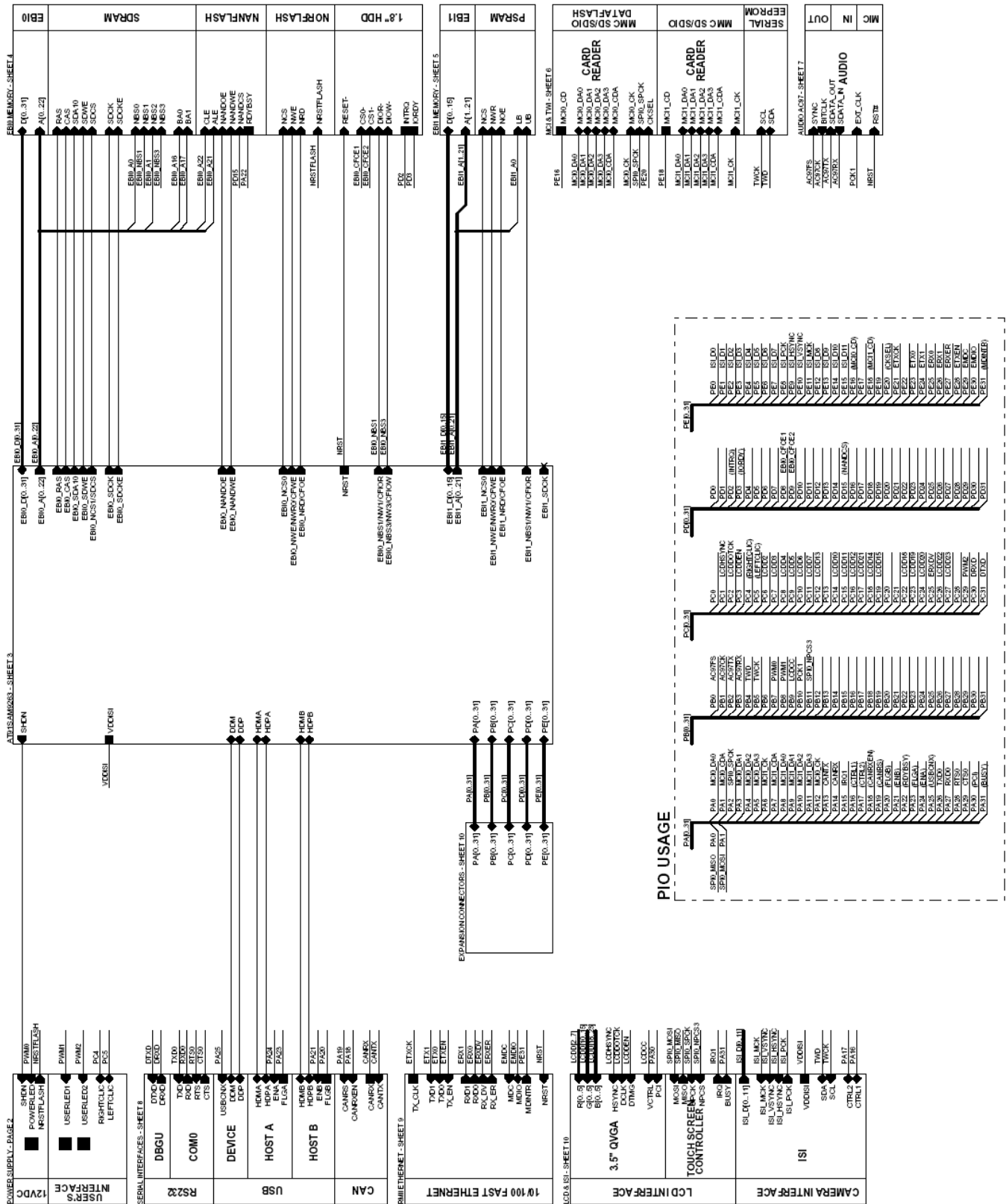
The user has the possibility to plug a battery (3V Lithium Battery CR1225 or equivalent) in order to permanently power the backup part of the device.

2.6 Getting Started

The AT91SAM9263-EK evaluation board Rev. B is delivered with a CD-ROM that allows the user to begin evaluation of the AT91 ARM Thumb 32-bit microcontroller quickly. Please refer to the AT91 web site, <http://www.atmel.com/products/AT91/>, for the most up-to-date information on getting started with the AT91SAM9263-EK.

2.7 AT91SAM9263-EK Block Diagram

Figure 2-3. AT91SAM9263-EK Block Diagram







3.1 AT91SAM9263 Microcontroller

- Incorporates the ARM926EJ-S™ ARM® Thumb® Processor
 - DSP Instruction Extensions, Jazelle® Technology for Java® Acceleration
 - 16 Kbyte Data Cache, 16 Kbyte Instruction Cache, Write Buffer
 - 200 MIPS at 180 MHz
 - Memory Management Unit
 - EmbeddedICE™, Debug Communication Channel Support
 - Mid-level Implementation Embedded Trace Macrocell™
- Bus Matrix
 - Nine 32-bit-layer Matrix, Allowing a Total of 28.8 Gbps of On-chip Bus Bandwidth
 - Boot Mode Select Option, Remap Command
- Embedded Memories
 - One 128 Kbyte Internal ROM, Single-cycle Access at Maximum Bus Matrix Speed
 - One 80 Kbyte Internal SRAM, Single-cycle Access at Maximum Processor Bus Matrix Speed
 - One 16 Kbyte Internal SRAM, Single-cycle Access at Maximum Bus Matrix Speed
- Dual External Bus Interface (EBI0 and EBI1)
 - EBI0 Supports SDRAM, Static Memory, ECC-enabled NAND Flash and CompactFlash®
 - EBI1 Supports SDRAM, Static Memory and ECC-enabled NAND Flash
- DMA Controller (DMAC)
 - Acts as one Bus Matrix Master
 - Embeds 2 Unidirectional Channels with Programmable Priority, Address Generation, Channel Buffering and Control
- Twenty Peripheral DMA Controller Channels (PDC)
- LCD Controller
 - Supports Passive or Active Displays
 - Up to 24 bits per Pixel in TFT Mode, Up to 16 bits per Pixel in STN Color Mode
 - Up to 16M Colors in TFT Mode, Resolution Up to 2048x2048, Supports Virtual Screen Buffers
- 2D Graphics Accelerator
 - Line Draw, Block Transfer, Polygon Fill, Clipping, Commands Queuing
- Image Sensor Interface
 - ITU-R BT. 601/656 External Interface, Programmable Frame Capture Rate
 - 12-bit Data Interface for Support of High Sensibility Sensors
 - SAV and EAV Synchronization, Preview Path with Scaler, YCbCr Format

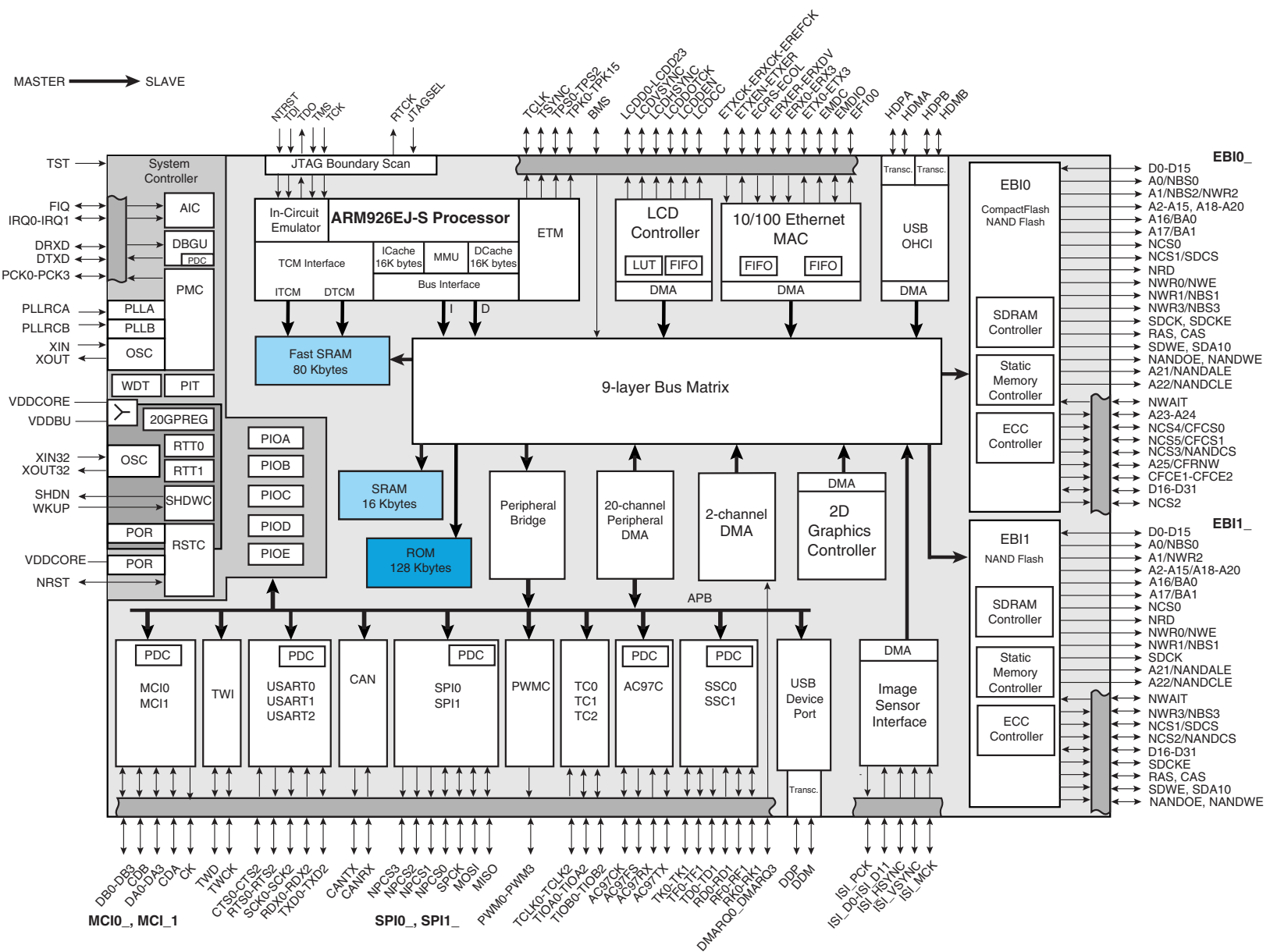
Board Description

- USB 2.0 Full Speed (12 Mbits per second) Host Double Port
 - Dual On-chip Transceivers
 - Integrated FIFOs and Dedicated DMA Channels
- USB 2.0 Full Speed (12 Mbits per second) Device Port
 - On-chip Transceiver, 2,432-byte Configurable Integrated DPRAM
- Ethernet MAC 10/100 Base-T
 - Media Independent Interface or Reduced Media Independent Interface
 - 28-byte FIFOs and Dedicated DMA Channels for Receive and Transmit
- Fully-featured System Controller, including
 - Reset Controller, Shutdown Controller
 - Twenty 32-bit Battery Backup Registers for a Total of 80 Bytes
 - Clock Generator and Power Management Controller
 - Advanced Interrupt Controller and Debug Unit
 - Periodic Interval Timer, Watchdog Timer and Double Real-time Timer
- Reset Controller (RSTC)
 - Based on Two Power-on Reset Cells, Reset Source Identification and Reset Output Control
- Shutdown Controller (SHDWC)
 - Programmable Shutdown Pin Control and Wake-up Circuitry
- Clock Generator (CKGR)
 - 32768Hz Low-power Oscillator on Battery Backup Power Supply, Providing a Permanent Slow Clock
 - 3 to 20 MHz On-chip Oscillator and Two Up to 240 MHz PLLs
- Power Management Controller (PMC)
 - Very Slow Clock Operating Mode, Software Programmable Power Optimization Capabilities
 - Four Programmable External Clock Signals
- Advanced Interrupt Controller (AIC)
 - Individually Maskable, Eight-level Priority, Vectored Interrupt Sources
 - Two External Interrupt Sources and One Fast Interrupt Source, Spurious Interrupt Protected
- Debug Unit (DBGU)
 - 2-wire UART and Support for Debug Communication Channel, Programmable ICE Access Prevention
- Periodic Interval Timer (PIT)
 - 20-bit Interval Timer plus 12-bit Interval Counter
- Watchdog Timer (WDT)
 - Key-protected, Programmable Only Once, Windowed 16-bit Counter Running at Slow Clock
- Two Real-time Timers (RTT)
 - 32-bit Free-running Backup Counter Running at Slow Clock with 16-bit Prescaler
- Five 32-bit Parallel Input/Output Controllers (PIOA, PIOB, PIOC, PIOD and PIOE)
 - 160 Programmable I/O Lines Multiplexed with Up to Two Peripheral I/Os
 - Input Change Interrupt Capability on Each I/O Line
 - Individually Programmable Open-drain, Pull-up Resistor and Synchronous Output
- One Part 2.0A and Part 2.0B-compliant CAN Controller

- 16 Fully-programmable Message Object Mailboxes, 16-bit Time Stamp Counter
- Two Multimedia Card Interface (MCI)
 - SDCard/SDIO and MultiMediaCard™ Compliant
 - Automatic Protocol Control and Fast Automatic Data Transfers with PDC
 - Two SDCard Slots Support on eAch Controller
- Two Synchronous Serial Controllers (SSC)
 - Independent Clock and Frame Sync Signals for Each Receiver and Transmitter
 - I²S Analog Interface Support, Time Division Multiplex Support
 - High-speed Continuous Data Stream Capabilities with 32-bit Data Transfer
- One AC97 Controller (AC97C)
 - 6-channel Single AC97 Analog Front End Interface, Slot Assigner
- Three Universal Synchronous/Asynchronous Receiver Transmitters (USART)
 - Individual Baud Rate Generator, IrDA® Infrared Modulation/Demodulation, Manchester Encoding/Decoding
 - Support for ISO7816 T0/T1 Smart Card, Hardware Handshaking, RS485 Support
- Two Master/Slave Serial Peripheral Interface (SPI)
 - 8- to 16-bit Programmable Data Length, Four External Peripheral Chip Selects
 - Synchronous Communications at Up to 90Mbits/sec
- One Three-channel 16-bit Timer/Counters (TC)
 - Three External Clock Inputs, Two Multi-purpose I/O Pins per Channel
 - Double PWM Generation, Capture/Waveform Mode, Up/Down Capability
- One Four-channel 16-bit PWM Controller (PWMC)
- One Two-wire Interface (TWI)
 - Master Mode Support, All Two-wire Atmel® EEPROMs Supported
- IEEE® 1149.1 JTAG Boundary Scan on All Digital Pins
- Required Power Supplies
 - 1.08V to 1.32V for VDDCORE and VDDBU
 - 3.0V to 3.6V for VDDOSC, VDDPLL and VDDIOP0 (Peripheral I/Os)
 - 1.65V to 3.6V for VDDIOP1 (Peripheral I/Os)
 - Programmable 1.65V to 1.95V or 3.0V to 3.6V for VDDIOM0/VDDIOM1 (Memory I/Os)
- Available in a 324-ball BGA Green Package

3.2 AT91SAM9263 Block Diagram

Figure 3-1. AT91SAM9263 Block Diagram



3.3 Memory

- 16 Kbytes of Internal data cache
- 16 Kbytes of Internal instruction cache
- 128 Kbytes of Internal ROM
- 80 Kbytes of Internal single-cycle access high-speed SRAM
- 16 Kbytes of Internal single-cycle access high-speed SRAM
- 8 Mbytes of Atmel NOR Flash (not populated)
- 64 Mbytes of SDRAM memory
- 4 Mbytes of PSRAM (EBI1)
- 256 Mbytes of NANDFlash memory
- Atmel TWI serial EEPROM

3.4 Clock Circuitry

- 16.36766 MHz standard crystal for the embedded oscillator
- 32.768 kHz standard crystal for the slow clock oscillator

3.5 Reset Circuitry

- Internal reset controller with bi-directional reset pin
- External reset pushbutton

3.6 Shutdown Controller

- Programmable shutdown and Wake-Up
- Wake-up push button

3.7 Power Supply Circuitry

- For dynamic power consumption, the AT91SAM9263 consumes a maximum of 50 mA on VDDCORE at maximum speed in typical conditions (1.2V, 25°C), processor running full-performance algorithm.
- On-board 1.2V high efficiency step-down Charge Pump regulator with shutdown control
- On-board 3.3V switching regulator with shutdown control
- On-board 5V switching regulator with shutdown control

3.8 Remote Communication

- One RS232 serial communication port
- One serial CAN 2.0B communication port via 3-position printed circuit terminal block
- One USB V2.0 Full-speed Compliant, 12 Mbits per second (UDP)
- Two USB Host ports V2.0 Full-speed Compliant, 12 Mbits per second (UHP)
- One RMII Ethernet 100-base TX with three status LEDs

3.9 Audio Stereo Interface

- One AC'97 2.3 compliant Codec (20-bit PCM DAC)
- One 32-ohm Stereo Headset line-out
- One stereo line input
- One stereo electret microphone input
- One mono 8-ohm amplified speaker

3.10 User Interface

- Two user input pushbuttons
- Two user green LEDs
- One yellow power LED (can be also software controlled)
- One 3.5" ¼ VGA display LCD with Touch Panel and white LED backlight
- One ISI connector (camera interface)

3.11 Debug Interface

- 20-pin JTAG/ICE interface connector
- One Serial interface (DBGU COM Port) via RS-232 DB9 male socket

3.12 Expansion Slot

- One DataFlash/SD/SDIO/MMC card slot
- One SD/SDIO/MMC card slot
- All unused I/Os of the AT91SAM9263 are routed to peripheral extension connectors (J24 and J25). This allows the developer to add external hardware components or boards.

3.13 PIO Usage

Table 3-1. PIO Controller A

I/O Line	Peripheral A	Peripheral B	Peripheral Usage		Powered by
PA0	MCI0_DA0	SPI0_MISO	SD/MMC/DATAFLASH SOCKET (J9) & TOUCH SCREEN CONTROLLER	MCI0_DA0 or SPI0_MISO	VDDIOP0
PA1	MCI0_CDA	SPI0_MOSI	SD/MMC/DATAFLASH SOCKET (J9) & TOUCH SCREEN CONTROLLER	MCI0_CDA or SPI0_MOSI	VDDIOP0
PA2		SPI0_SPCK	SD/MMC/DATAFLASH SOCKET (J9) & TOUCH SCREEN CONTROLLER	SPI0_SPCK	VDDIOP0
PA3	MCI0_DA1	SPI0_NPCS1	SD/MMC/DATAFLASH SOCKET (J9)		VDDIOP0
PA4	MCI0_DA2	SPI0_NPCS2	SD/MMC/DATAFLASH SOCKET (J9)		VDDIOP0
PA5	MCI0_DA3	SPI0_NPCS0	SD/MMC/DATAFLASH SOCKET (J9)		VDDIOP0
PA6	MCI1_CK	PCK2	SD/MMC SOCKET (J10)	MCI1_CK	VDDIOP0
PA7	MCI1_CDA		SD/MMC SOCKET (J10)	MCI1_CDA	VDDIOP0
PA8	MCI1_DA0		SD/MMC SOCKET (J10)	MCI1_DA0	VDDIOP0
PA9	MCI1_DA1		SD/MMC SOCKET (J10)	MCI1_DA1	VDDIOP0
PA10	MCI1_DA2		SD/MMC SOCKET (J10)	MCI1_DA2	VDDIOP0
PA11	MCI1_DA3		SD/MMC SOCKET (J10)	MCI1_DA3	VDDIOP0
PA12	MCI0_CK		SD/MMC/DATAFLASH SOCKET (J9)	MCI0_CK	VDDIOP0
PA13	CANTX	PCK0	CAN BUS INTERFACE (J17)	CANTX	VDDIOP0
PA14	CANRX	IRQ0	CAN BUS INTERFACE (J17)	CANRX	VDDIOP0
PA15	TCLK2	IRQ1	TOUCH SCREEN CONTROLLER (MN19)	IRQ1	VDDIOP0
PA16	MCI0_CDB	EBI1_D16	IMAGE SENSORS CONNECTORS (J23)	PA16 as CTRL1	VDDIOM1
PA17	MCI0_DB0	EBI1_D17	IMAGE SENSORS CONNECTORS (J23)	PA17 as CTRL2	VDDIOM1
PA18	MCI0_DB1	EBI1_D18	CAN INTERFACE (RXEN)	PA18 as RXEN	VDDIOM1
PA19	MCI0_DB2	EBI1_D19	CAN INTERFACE (RS)	PA19 as RS	VDDIOM1
PA20	MCI0_DB3	EBI1_D20	USB HOST B POWER MONITOR (MN17)	PA20 as FLGB	VDDIOM1
PA21	MCI1_CDB	EBI1_D21	USB HOST B POWER CONTROL (MN17)	PA21 as ENB	VDDIOM1
PA22	MCI1_DB0	EBI1_D22	NANDFLASH (MN12B)	PA22 as RDY/BSY	VDDIOM1
PA23	MCI1_DB1	EBI1_D23	USB HOST B POWER MONITOR (MN17)	PA23 as FLGA	VDDIOM1
PA24	MCI1_DB2	EBI1_D24	USB HOST B POWER CONTROL (MN17)	PA24 as ENA	VDDIOM1
PA25	MCI1_DB3	EBI1_D25	USB DEVICE INTERFACE	PA25 as USB_CNX	VDDIOM1
PA26	TXD0	EBI1_D26	RS232 COM PORT (J15)	TXD0	VDDIOM1
PA27	RXD0	EBI1_D27	RS232 COM PORT (J15)	RXD0	VDDIOM1
PA28	RTS0	EBI1_D28	RS232 COM PORT (J15)	RTS0	VDDIOM1
PA29	CTS0	EBI1_D29	RS232 COM PORT (J15)	CTS0	VDDIOM1
PA30	SCK0	EBI1_D30	LCD PANEL (Power Control In)	PA30 as PCI	VDDIOM1
PA31	DMARQ0	EBI1_D31	TOUCH SCREEN CONTROLLER (MN19)	PA31 as BUSY	VDDIOM1

Table 3-2. PIO Controller B

I/O Line	Peripheral A	Peripheral B	Peripheral Usage		Powered by
PB0	AC97FS	TF0	AC97 CODEC (MN12)	AC97FS	VDDIOP0
PB1	AC97CK	TK0	AC97 CODEC (MN12)	AC97CK	VDDIOP0
PB2	AC97TX	TD0	AC97 CODEC (MN12)	AC97TX	VDDIOP0
PB3	AC97RX	RD0	AC97 CODEC (MN12)	AC97RX	VDDIOP0
PB4	TWD	RK0	TWI EEPROM (MN11)	TWD / SDA	VDDIOP0
PB5	TWCK	RF0	TWI EEPROM (MN11)	TWCK / SCL	VDDIOP0
PB6	TF1	DMARQ1			VDDIOP0
PB7	TK1	PWM0	POWER LED CONTROL (DS3)	PB7 or PWM0	VDDIOP0
PB8	TD1	PWM1	USER'S LED1 CONTROL (DS1)	PB8 or PWM1	VDDIOP0
PB9	RD1	LCDCC	LCD PANEL (backlight control)	LCDCC	VDDIOP0
PB10	RK1	PCK1	AC97 CODEC (MN12) Optional clock source	PCK1	VDDIOP0
PB11	RF1	SPI0_NPCS3	TOUCH SCREEN CONTROLLER (MN19)	SPI0_NPCS3	VDDIOP0
PB12	SPI1_MISO				VDDIOP0
PB13	SPI1_MOSI				VDDIOP0
PB14	SPI1_SPCK				VDDIOP0
PB15	SPI1_NPCS0				VDDIOP0
PB16	SPI1_NPCS1	PCK1			VDDIOP0
PB17	SPI1_NPCS2	TIOA2			VDDIOP0
PB18	SPI1_NPCS3	TIOB2			VDDIOP0
PB19					VDDIOP0
PB20					VDDIOP0
PB21					VDDIOP0
PB22					VDDIOP0
PB23					VDDIOP0
PB24		DMARQ3			VDDIOP0
PB25					VDDIOP0
PB26					VDDIOP0
PB27		PWM2			VDDIOP0
PB28		TCLK0			VDDIOP0
PB29		PWM3			VDDIOP0
PB30					VDDIOP0
PB31					VDDIOP0

Table 3-3. PIO Controller C

I/O Line	Peripheral A	Peripheral B	Peripheral Usage			Powered by
PC0	LCDVSYNC					VDDIOP0
PC1	LCDHSYNC		LCD PANEL	LCDHSYNC		VDDIOP0
PC2	LCDDOTCK		LCD PANEL	LCDDOTCK		VDDIOP0
PC3	LCDDEN	PWM1	LCD PANEL	LCDDEN		VDDIOP0
PC4	LCDD0	LCDD3	USER'S PUSH BUTTON (BP2)	PC4 as RIGHT CLICK		VDDIOP0
PC5	LCDD1	LCDD4	USER'S PUSH BUTTON (BP1)	PC5 as LEFT CLICK		VDDIOP0
PC6	LCDD2	LCDD5	LCD PANEL	LCDD2	RED	VDDIOP0
PC7	LCDD3	LCDD6	LCD PANEL	LCDD3	RED	VDDIOP0
PC8	LCDD4	LCDD7	LCD PANEL	LCDD4	RED	VDDIOP0
PC9	LCDD5	LCDD10	LCD PANEL	LCDD5	RED	VDDIOP0
PC10	LCDD6	LCDD11	LCD PANEL	LCDD6	RED	VDDIOP0
PC11	LCDD7	LCDD12	LCD PANEL	LCDD7	RED	VDDIOP0
PC12	LCDD8	LCDD13	LCD PANEL	LCDD13	GREEN	VDDIOP0
PC13	LCDD9	LCDD14				VDDIOP0
PC14	LCDD10	LCDD15	LCD PANEL	LCDD10	GREEN	VDDIOP0
PC15	LCDD11	LCDD19	LCD PANEL	LCDD11	GREEN	VDDIOP0
PC16	LCDD12	LCDD20	LCD PANEL	LCDD12	GREEN	VDDIOP0
PC17	LCDD13	LCDD21	LCD PANEL	LCDD21	BLUE	VDDIOP0
PC18	LCDD14	LCDD22	LCD PANEL	LCDD14	GREEN	VDDIOP0
PC19	LCDD15	LCDD23	LCD PANEL	LCDD15	GREEN	VDDIOP0
PC20	LCDD16	ETX2				VDDIOP0
PC21	LCDD17	ETX3				VDDIOP0
PC22	LCDD18	ERX2	LCD PANEL	LCDD18	BLUE	VDDIOP0
PC23	LCDD19	ERX3	LCD PANEL	LCDD19	BLUE	VDDIOP0
PC24	LCDD20	ETXER	LCD PANEL	LCDD20	BLUE	VDDIOP0
PC25	LCDD21	ERXDV	ETHERNET RMII (MN18)	ERXDV		VDDIOP0
PC26	LCDD22	ECOL	LCD PANEL	LCDD22	BLUE	VDDIOP0
PC27	LCDD23	ERXCK	LCD PANEL	LCDD23	BLUE	VDDIOP0
PC28	PWM0	TCLK1				VDDIOP0
PC29	PCK0	PWM2	USER'S LED2 CONTROL (DS2)	PC29 or PWM2		VDDIOP0
PC30	DRXD		SERIAL DEBUG PORT (J14)	DRXD		VDDIOP0
PC31	DTXD		SERIAL DEBUG PORT (J14)	DTXD		VDDIOP0

Table 3-4. PIO Controller D

I/O Line	Peripheral A	Peripheral B	Peripheral Usage		Powered by
PD0	TXD1	SPI0_NPCS2			VDDIOP0
PD1	RXD1	SPI0_NPCS3			VDDIOP0
PD2	TXD2	SPI1_NPCS2	HDD CONNECTORS (J8)	PD2 as IRQ	VDDIOP0
PD3	RXD2	SPI1_NPCS3	HDD CONNECTORS (J8)	PD3 as IOREADY	VDDIOP0
PD4	FIQ	DMARQ2			VDDIOP0
PD5	EBI0_NWAIT	RTS2			VDDIOM0
PD6	EBI0_NCS4/CFCS0	CTS2			VDDIOM0
PD7	EBI0_NCS5/CFCS1	RTS1			VDDIOM0
PD8	EBI0_CFCE1	CTS1	HDD CONNECTORS (J8)	EBI0_CFCE1	VDDIOM0
PD9	EBI0_CFCE2	SCK2	HDD CONNECTORS (J8)	EBI0_CFCE2	VDDIOM0
PD10		SCK1			VDDIOM0
PD11	EBI0_NCS2	TSYNC			VDDIOM0
PD12	EBI0_A23	TCLK			VDDIOM0
PD13	EBI0_A24	TPS0			VDDIOM0
PD14	EBI0_A25_CFRNW	TPS1			VDDIOM0
PD15	EBI0_NCS3/NANDCS	TPS2	NANDFLASH (MN12B)	EBI0_NCS3/NANDCS	VDDIOM0
PD16	EBI0_D16	TPK0	EBI0 SDRAM DATA BUS	D16	VDDIOM0
PD17	EBI0_D17	TPK1	EBI0 SDRAM DATA BUS	D17	VDDIOM0
PD18	EBI0_D18	TPK2	EBI0 SDRAM DATA BUS	D18	VDDIOM0
PD19	EBI0_D19	TPK3	EBI0 SDRAM DATA BUS	D19	VDDIOM0
PD20	EBI0_D20	TPK4	EBI0 SDRAM DATA BUS	D20	VDDIOM0
PD21	EBI0_D21	TPK5	EBI0 SDRAM DATA BUS	D21	VDDIOM0
PD22	EBI0_D22	TPK6	EBI0 SDRAM DATA BUS	D22	VDDIOM0
PD23	EBI0_D23	TPK7	EBI0 SDRAM DATA BUS	D23	VDDIOM0
PD24	EBI0_D24	TPK8	EBI0 SDRAM DATA BUS	D24	VDDIOM0
PD25	EBI0_D25	TPK9	EBI0 SDRAM DATA BUS	D25	VDDIOM0
PD26	EBI0_D26	TPK10	EBI0 SDRAM DATA BUS	D26	VDDIOM0
PD27	EBI0_D27	TPK11	EBI0 SDRAM DATA BUS	D27	VDDIOM0
PD28	EBI0_D28	TPK12	EBI0 SDRAM DATA BUS	D28	VDDIOM0
PD29	EBI0_D29	TPK13	EBI0 SDRAM DATA BUS	D29	VDDIOM0
PD30	EBI0_D30	TPK14	EBI0 SDRAM DATA BUS	D30	VDDIOM0
PD31	EBI0_D31	TPK15	EBI0 SDRAM DATA BUS	D31	VDDIOM0

Table 3-5. PIO Controller E

I/O Line	Peripheral A	Peripheral B	Peripheral Usage		Powered by
PE0	ISI_D0		IMAGE SENSORS CONNECTORS (J23)	ISI_D0	VDDIOP1
PE1	ISI_D1		IMAGE SENSORS CONNECTORS (J23)	ISI_D1	VDDIOP1
PE2	ISI_D2		IMAGE SENSORS CONNECTORS (J23)	ISI_D2	VDDIOP1
PE3	ISI_D3		IMAGE SENSORS CONNECTORS (J23)	ISI_D3	VDDIOP1
PE4	ISI_D4		IMAGE SENSORS CONNECTORS (J23)	ISI_D4	VDDIOP1
PE5	ISI_D5		IMAGE SENSORS CONNECTORS (J23)	ISI_D5	VDDIOP1
PE6	ISI_D6		IMAGE SENSORS CONNECTORS (J23)	ISI_D6	VDDIOP1
PE7	ISI_D7		IMAGE SENSORS CONNECTORS (J23)	ISI_D7	VDDIOP1
PE8	ISI_PCK	TIOA1	IMAGE SENSORS CONNECTORS (J23)	ISI_PCK	VDDIOP1
PE9	ISI_HSYNC	TIOB1	IMAGE SENSORS CONNECTORS (J23)	ISI_HSYNC	VDDIOP1
PE10	ISI_VSYNC	PWM3	IMAGE SENSORS CONNECTORS (J23)	ISI_VSYNC	VDDIOP1
PE11	ISI_MCK	PCK3	IMAGE SENSORS CONNECTORS (J23)	ISI_MCK	VDDIOP1
PE12		ISI_D8	IMAGE SENSORS CONNECTORS (J23)	ISI_D8	VDDIOP1
PE13		ISI_D9	IMAGE SENSORS CONNECTORS (J23)	ISI_D9	VDDIOP1
PE14		ISI_D10	IMAGE SENSORS CONNECTORS (J23)	ISI_D10	VDDIOP1
PE15		ISI_D11	IMAGE SENSORS CONNECTORS (J23)	ISI_D11	VDDIOP1
PE16			SD/MMC/DATAFLASH SOCKET (J9)	PE16 as CD (Card Detect)	VDDIOP1
PE17			SD/MMC/DATAFLASH SOCKET (J9)	PE17 as WP (Write Protect)	VDDIOP1
PE18		TIOA0	SD/MMC SOCKET (J10)	PE18 as CD (Card Detect)	VDDIOP1
PE19		TIOB0	SD/MMC SOCKET (J10)	PE19 as WP (Write Protect)	VDDIOP1
PE20		EBI1_NWAIT	SD/MMC/DATAFLASH SOCKET (J9)	PE20 as CKSEL (Clock Select)	VDDIOM1
PE21	ETXCK	EBI1_NANDWE	ETHERNET RMII (MN18)	ETXCK	VDDIOM1
PE22	ECRS	EBI1_NCS2/NANDCS			VDDIOM1
PE23	ETX0	EB1_NANDOE	ETHERNET RMII (MN18)	ETX0	VDDIOM1
PE24	ETX1	EBI1_NWR3/NBS3	ETHERNET RMII (MN18)	ETX1	VDDIOM1
PE25	ERX0	EBI1_NCS1/SDCS	ETHERNET RMII (MN18)	ERX0	VDDIOM1
PE26	ERX1			ERX1	VDDIOM1
PE27	ERXER	EBI1_SDCKE	ETHERNET RMII (MN18)	ERXER	VDDIOM1
PE28	ETXEN	EBI1_RAS	ETHERNET RMII (MN18)	ETXEN	VDDIOM1
PE29	EMDC	EBI1_CAS	ETHERNET RMII (MN18)	EMDC	VDDIOM1
PE30	EMDIO	EBI1_SDWE	ETHERNET RMII (MN18)	EMDIO	VDDIOM1
PE31	EF100	EBI1_SDA10	ETHERNET RMII (MN18)	PE31 as IRQ	VDDIOM1





4.1 Configuration Jumpers and Straps

Table 4-1. Configuration Jumpers and Straps

Designation	Default Setting	Feature
J2	Closed	Forces power on. To use the software shutdown control, J2 must be opened and the battery backup inserted in its socket.
J4-1	Closed	VDDBU jumper ⁽¹⁾
J4-2	Closed	VDDCORE jumper ⁽¹⁾
J5-1	Closed	VDDOSC jumper ⁽¹⁾
J5-2	Closed	VDDIOP0 jumper ⁽¹⁾
J5-3	Closed	VDDIOP1 jumper ⁽¹⁾
J5-4	Closed	VDDIOM0 jumper ⁽¹⁾
J5.5	Closed	VDDIOM1 jumper ⁽¹⁾
J5-6	Opened	Enables Boot on the internal ROM. Close to boot from NCS0.
	Closed	Enables Boot on the NCS0
J16	Closed	Enables 120 ohms CAN bus resistance termination
J21	Closed	Enables Ethernet Auto MDIX control
S1	Opened	Selects ICE or JTAG mode. (closed)
S2	Opened	Disables NAND FLASH write protect
S3	Opened	Disables 5V power supply on J24, J25 expansion connectors
R17	IN	Enables the ICE NTRST input
R18	IN	Enables the ICE NRST input
R13	IN	Enables the use of the Y1 crystal. If an external clock has to be used, R13 and R15 must be unsoldered and R16/J16 fitted.
R15	IN	
R45	IN	Enables the use of the SERIAL EEPROM SCL (PB5)
R46	IN	Enables the use of the SERIAL EEPROM SDA (PB4)
R75	IN	Enables the use of the DBGU TXD signal (PC31)
R79	IN	Enables the use of the DBGU RXD signal (PC30)
R84	IN	Enables the use of the USB CNX detection (PA25)
R76	IN	Enables the use of the RS232 COM PORT TXD signal (PA26)
R78	IN	Enables the use of the RS232 COM PORT RTS signal (PA28)

Table 4-1. Configuration Jumpers and Straps

Designation	Default Setting	Feature
R80	IN	Enables the use of the RS232 COM PORT RXD signal (PA27)
R82	IN	Enables the use of the RS232 COM PORT CTS signal (PA29)
R87	IN	Enables the use of the CAN BUS driver RS control signal (PA26)
R89	IN	Enables the use of the CAN BUS driver CANTXRT RTS signal (PA28)
R91	IN	Enables the use of the RS232 COM PORT RXD signal (PA27)
R93	IN	Enables the use of the RS232 COM PORT CTS signal (PA29)
R112	IN	Enables the use of interrupt ETHERNET PHY (PE31)
R126	IN	Enables the use of TOUCH SCEEN CONTROLLER (PB11_SPIO_NPCS3)
R127	IN	Enables the use of TOUCH SCEEN CONTROLLER BUSY signal (PA31)
R128	IN	Enables the use of TOUCH SCEEN CONTROLLER PENIRQ (PA15_IRQ1)
TP67	N.A	GND Test point
TP68	N.A	GND Test point
TP69	N.A	GND Test point
TP70	N.A	GND Test point
TP71	N.A	0 to 3.3V analog user's input
TP72	N.A	0 to 3.3V analog user's input
TP73	N.A	AGND of TP71
TP74	N.A	AGND of TP72

Note: 1. These jumpers are provided for power consumption measurement use. By default, they are closed. To use this feature, the user has to open the strap and insert an ammeter.



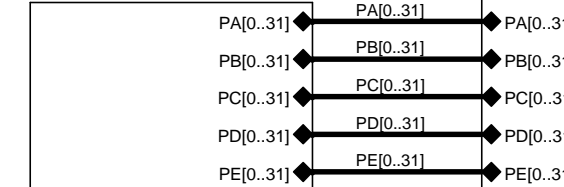
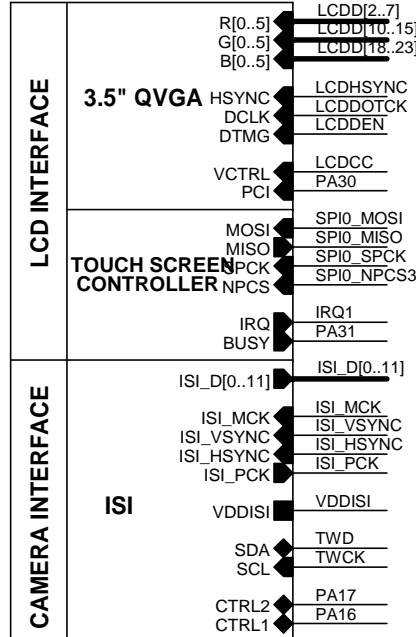
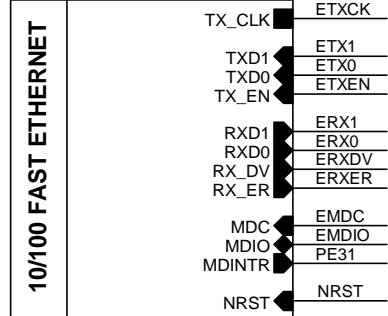
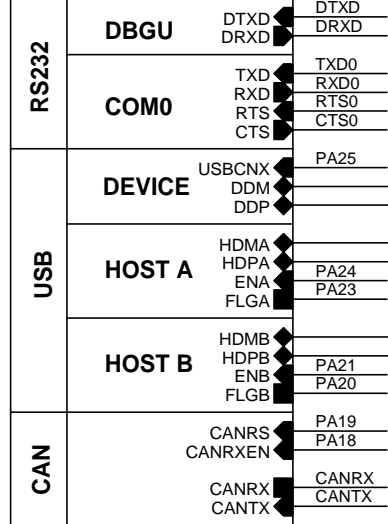
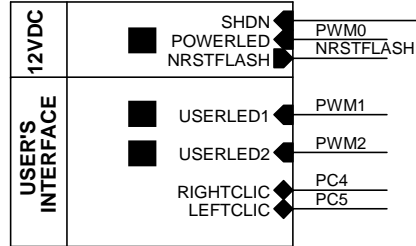
Section 5

Schematics

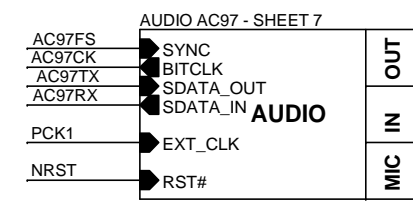
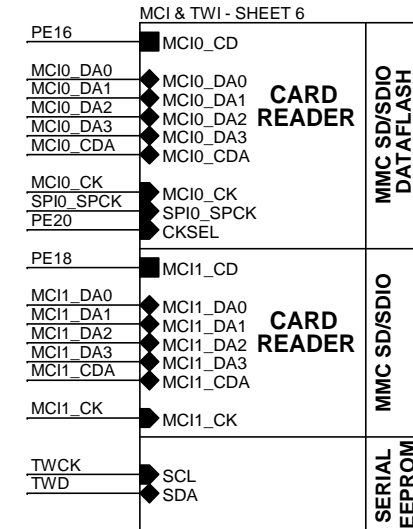
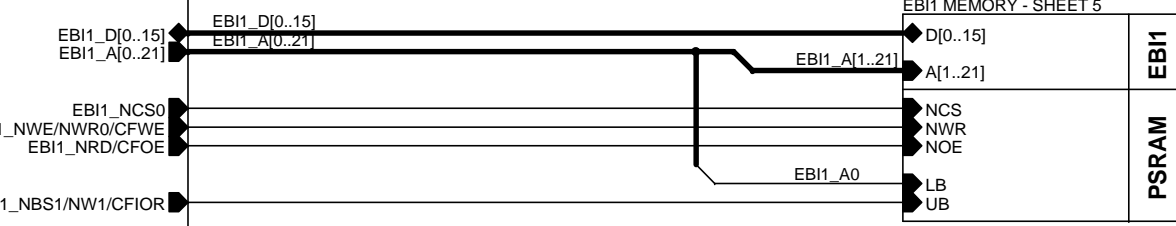
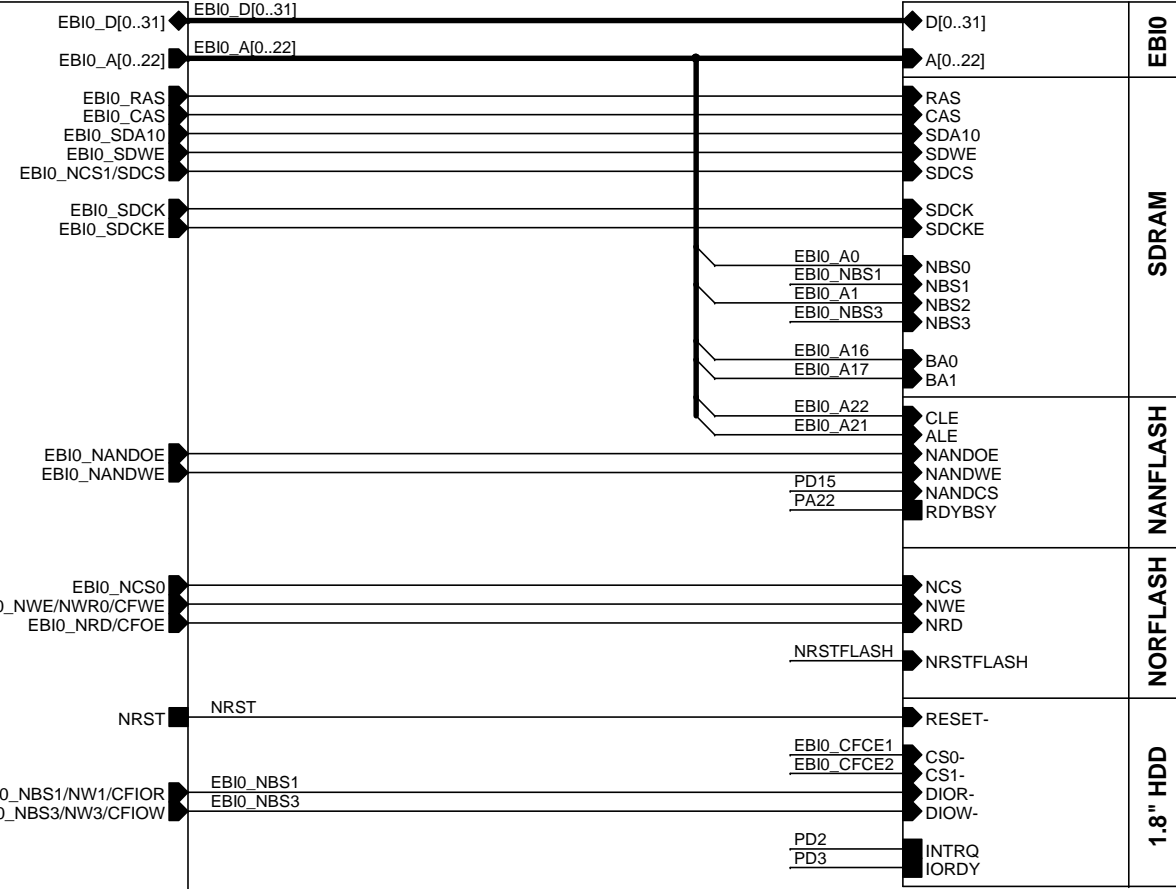
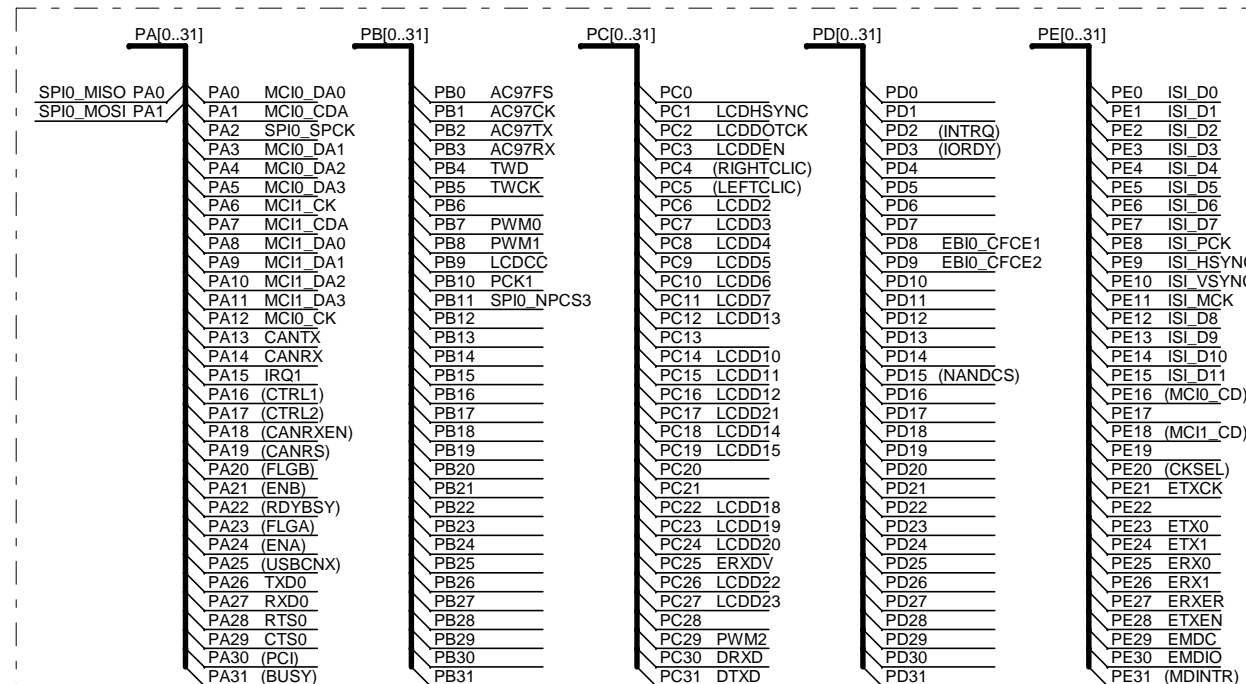
5.1 Schematics

This section contains the following schematics:

- Power Supply
- AT91SAM9263
- EBI0 Memory
- EBI1 Memory
- Serial Memory
- Audio AC97
- Serial Interfaces
- Ethernet
- LCD and ISI
- Expansion



PIO USAGE



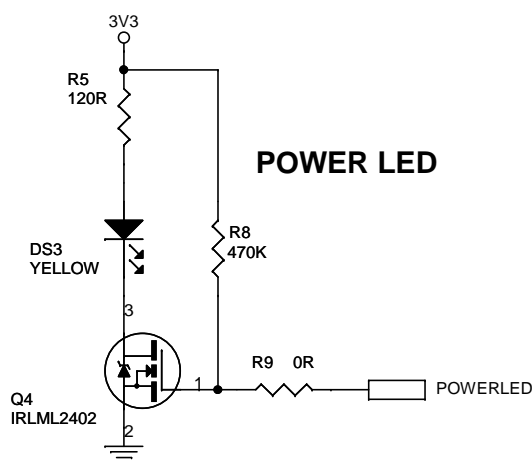
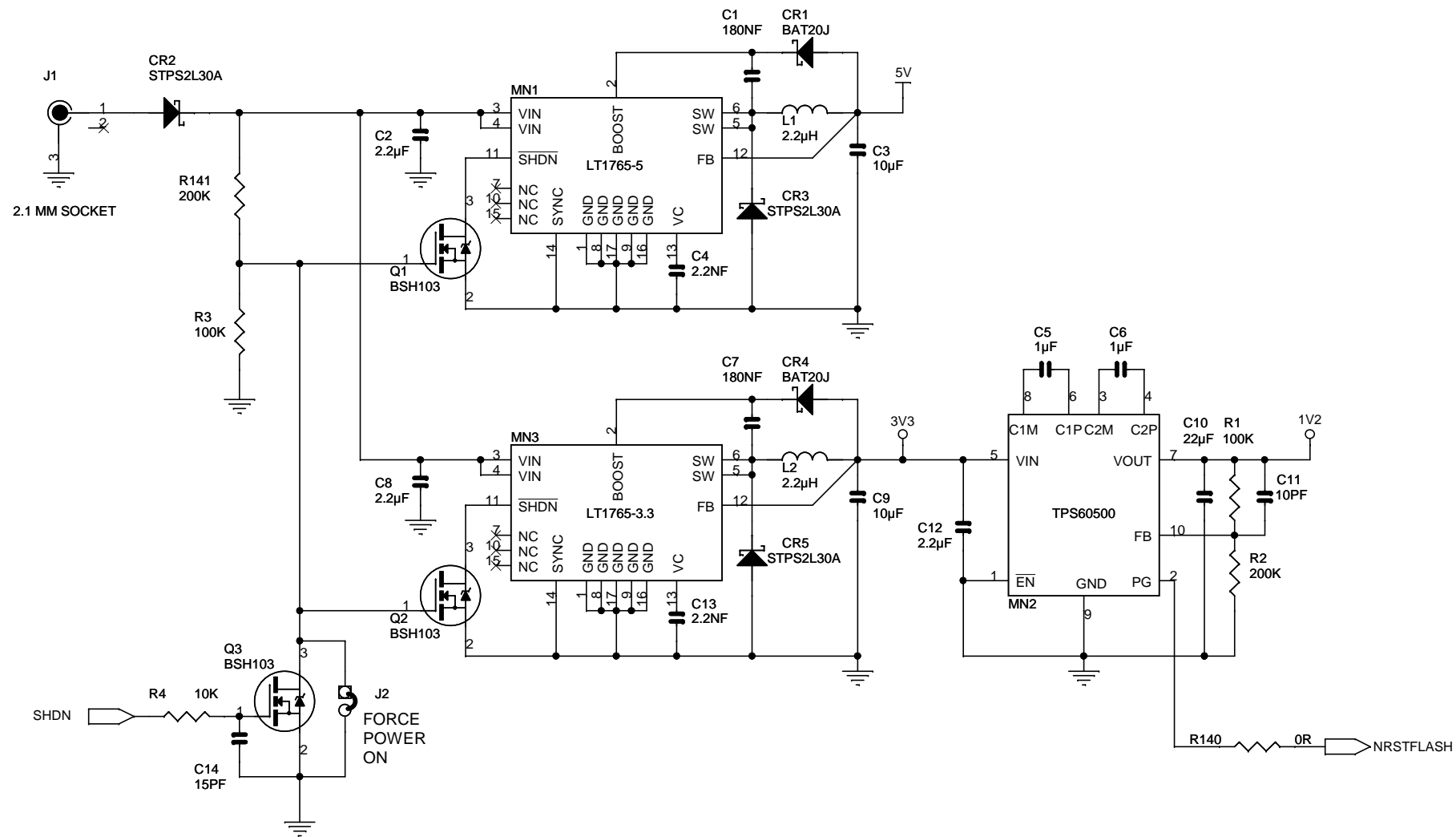
ATMEL ROUSSET

REV	MODIF.	DES.	DATE	VER.	DATE
B		JPG	15-MAR-07		
A	INIT EDIT	JPG	10-OCT-06		

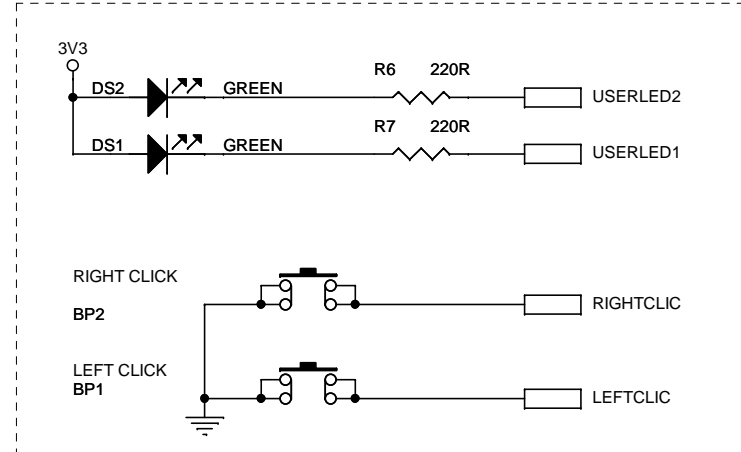
SCALE 1/1

DIAGRAM

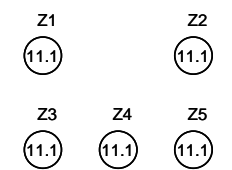
REV. SHEET B 1/11



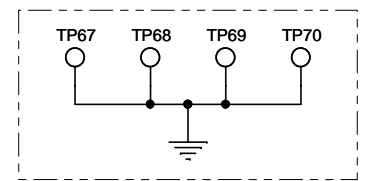
USER INTERFACE



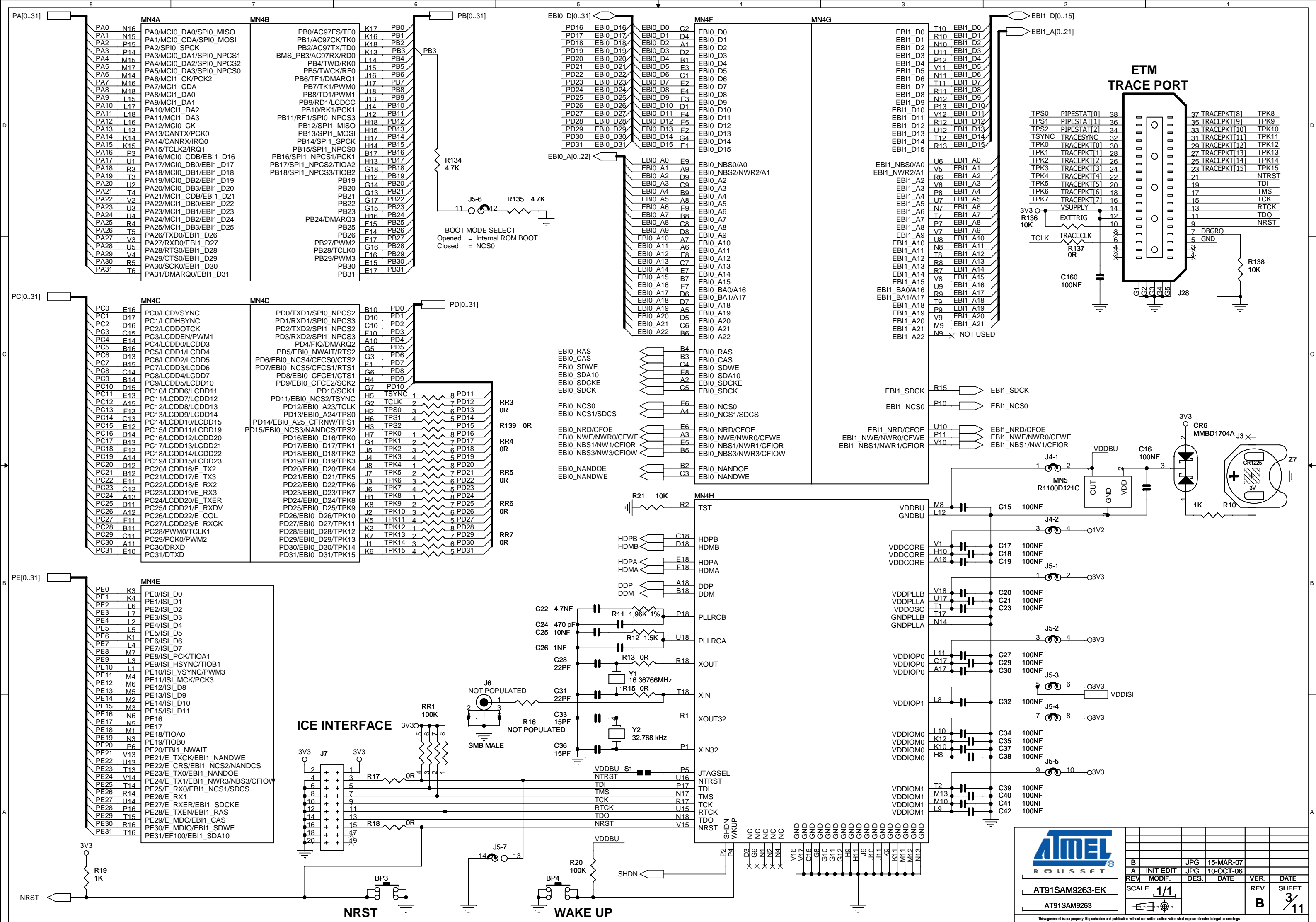
ADHESIVE FEET



GND TEST POINT

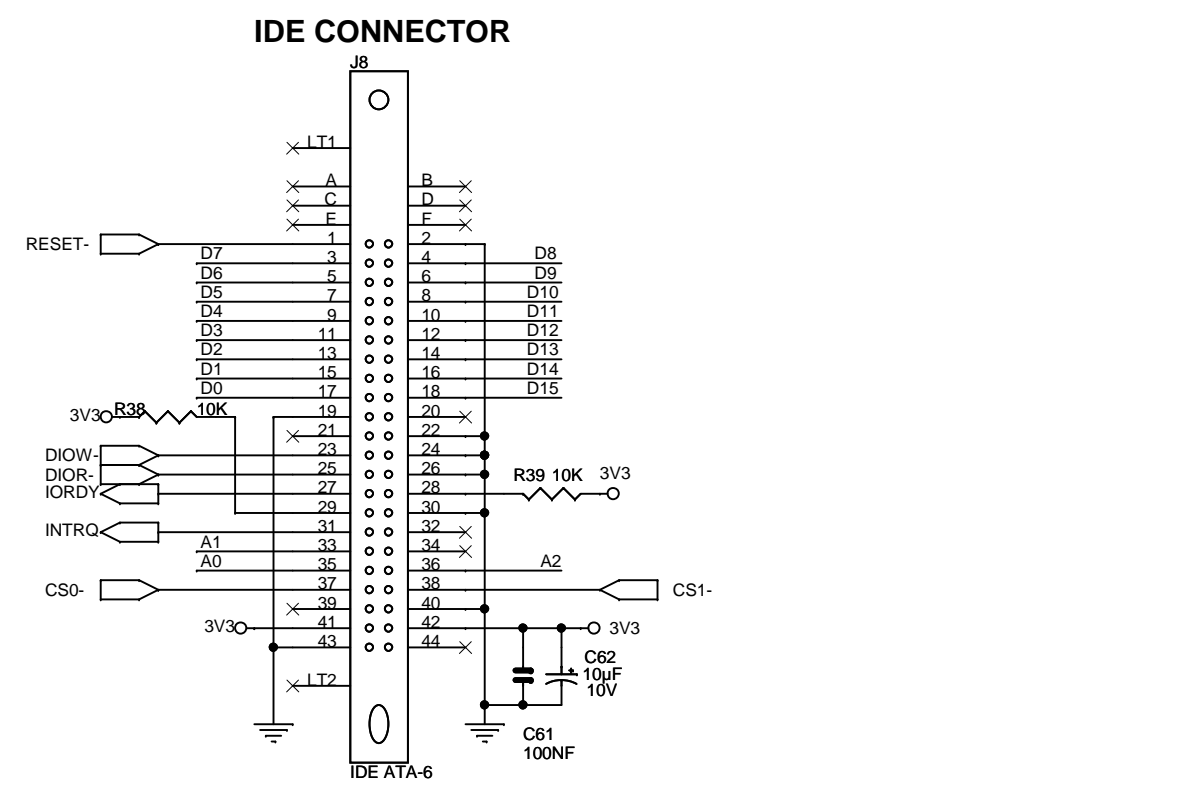
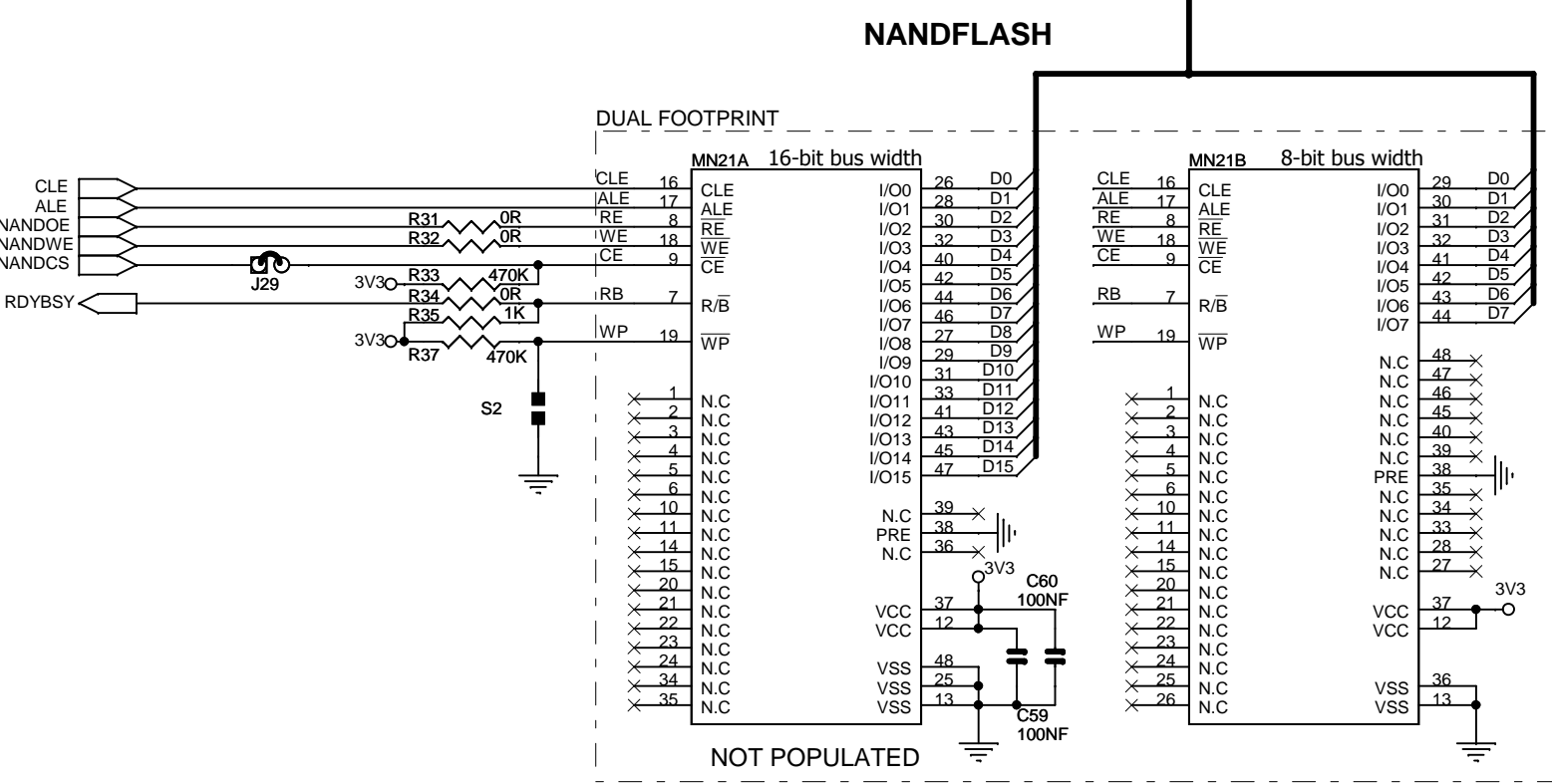
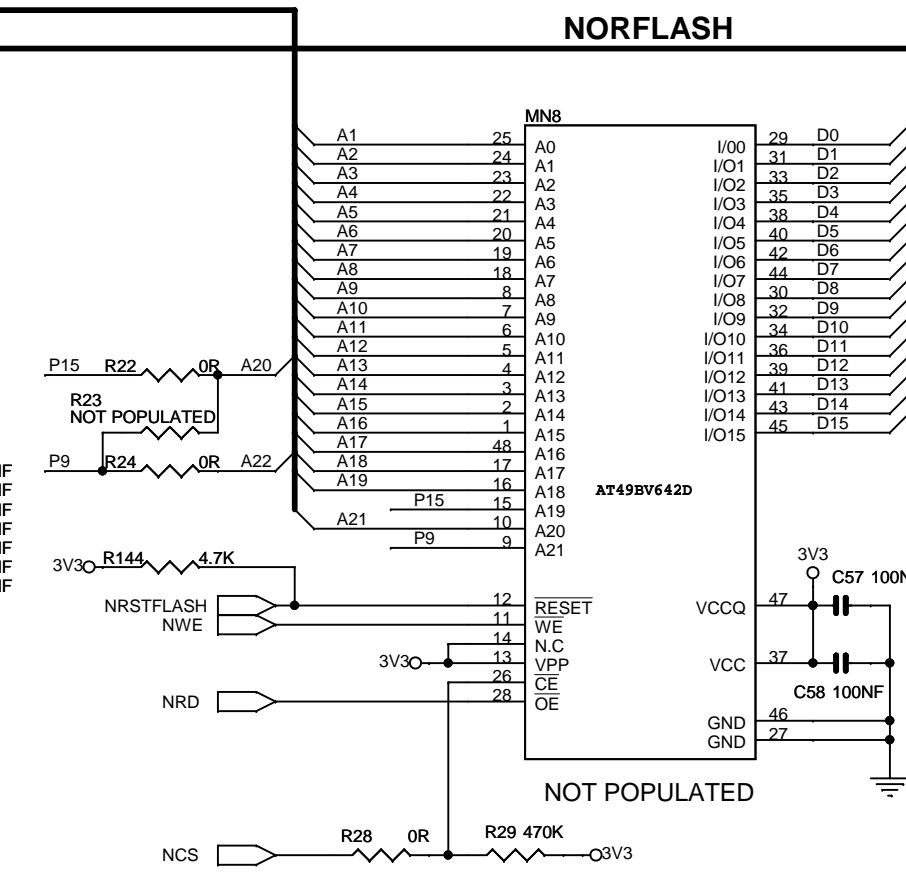
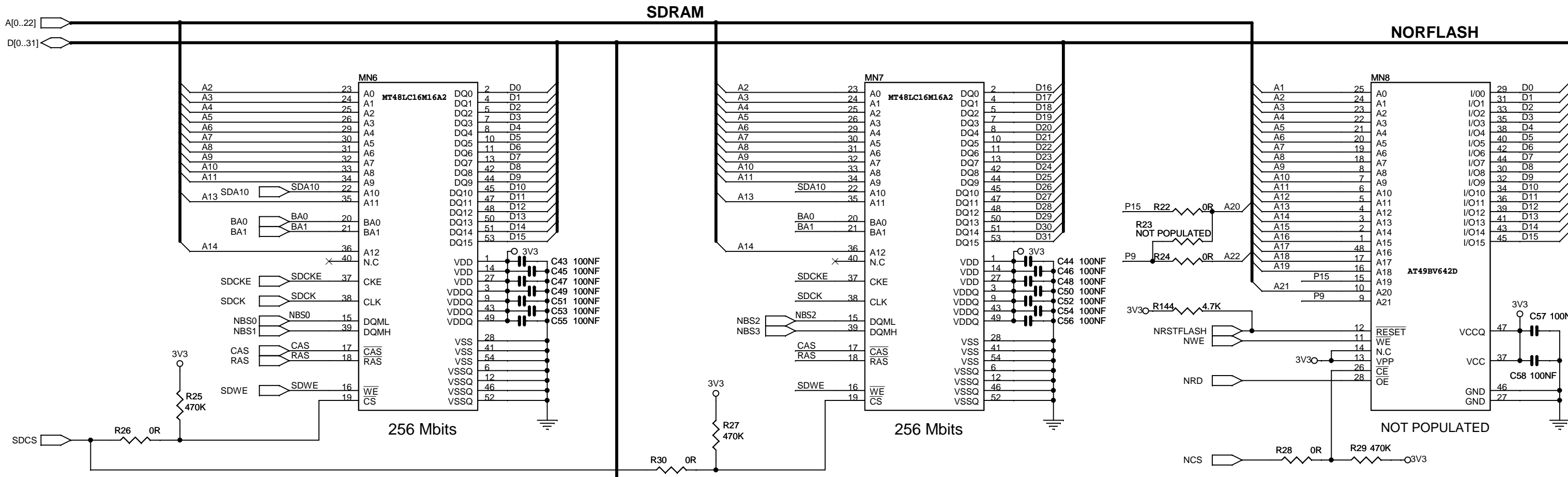


		B		JPG	15-MAR-07		
		A	INIT EDIT	JPG	10-OCT-06		
AT91SAM9263-EK		REV	MODIF.	DES.	DATE	VER.	DATE
POWER SUPPLY		SCALE 1/1				REV. B	SHEET 2/11



ATMEL					
ROUSSET					
REV. B	INIT EDIT	JPG	15-MAR-07	VER.	DATE
REV. A	MODIF.	JPG	10-OCT-06	VER.	DATE
AT91SAM9263-EK		SCALE	1/1	REV.	SHEET
AT91SAM9263				B	3/11

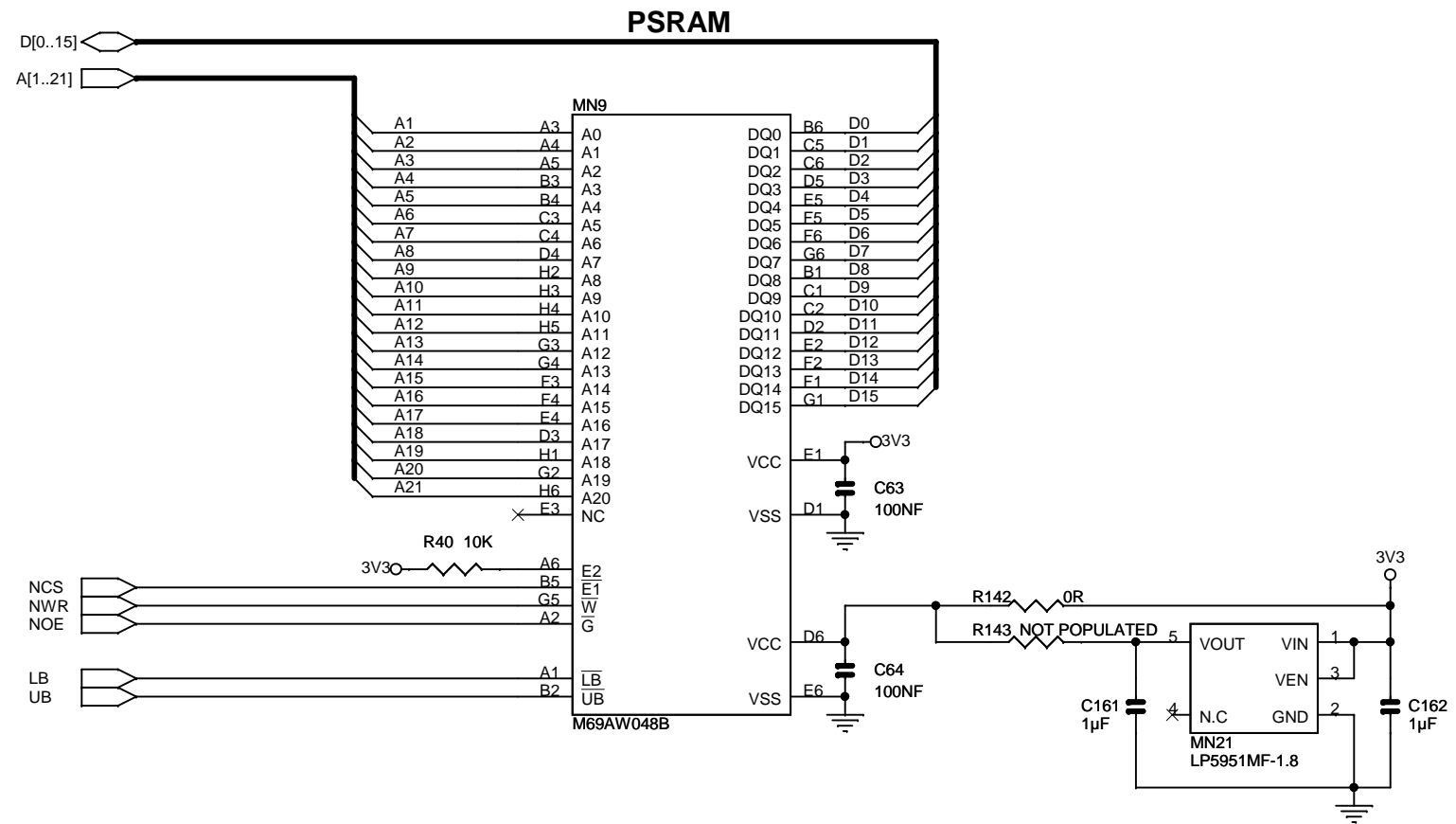
This agreement is our property. Reproduction and publication without our written authorization shall expose offender to legal proceedings.



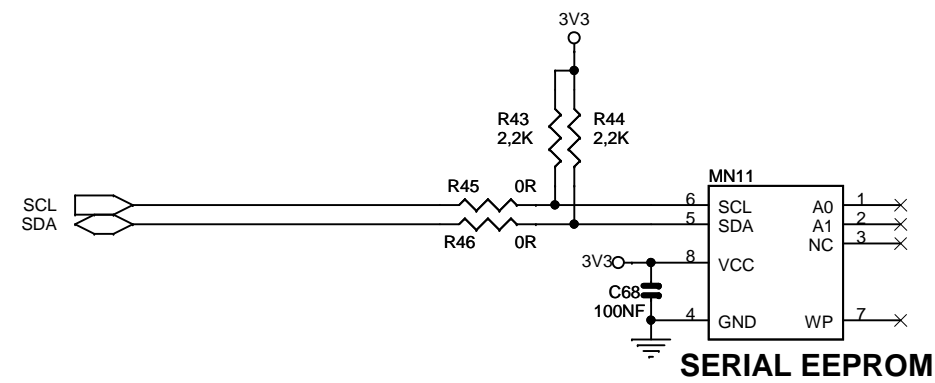
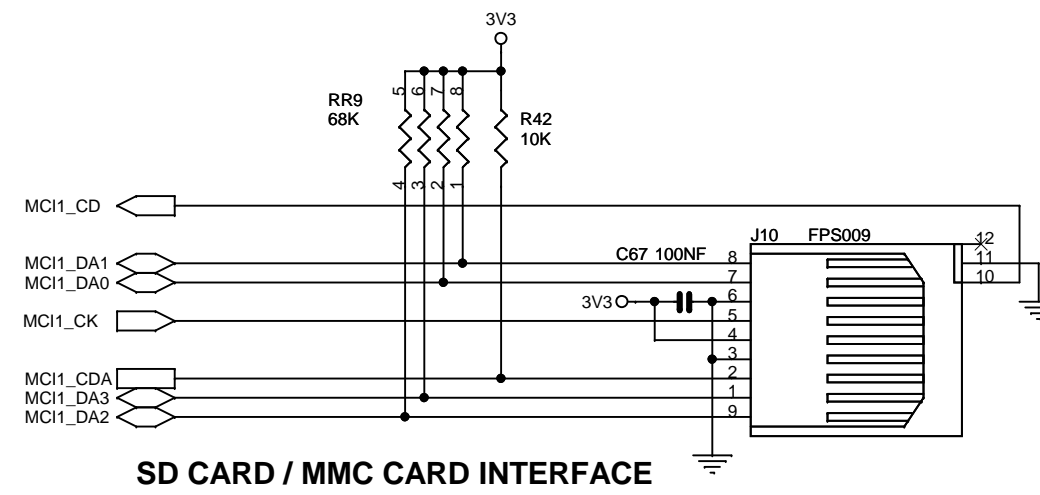
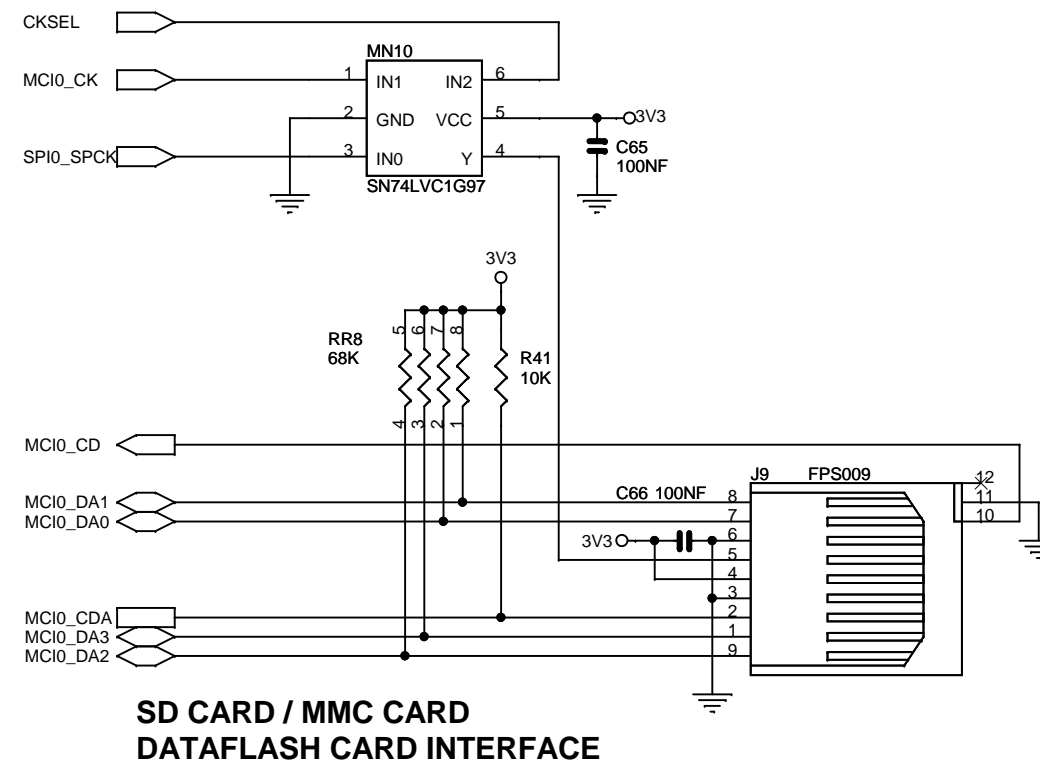
AT91SAM9263-EK
EBI0 MEMORY

REV.	INIT EDIT	JPG	15-MAR-07	VER.	DATE
A	REV.	DES.	10-OCT-06	B	4/11
SCALE 1/1					

This agreement is our property. Reproduction and publication without our written authorization shall expose offender to legal proceedings.



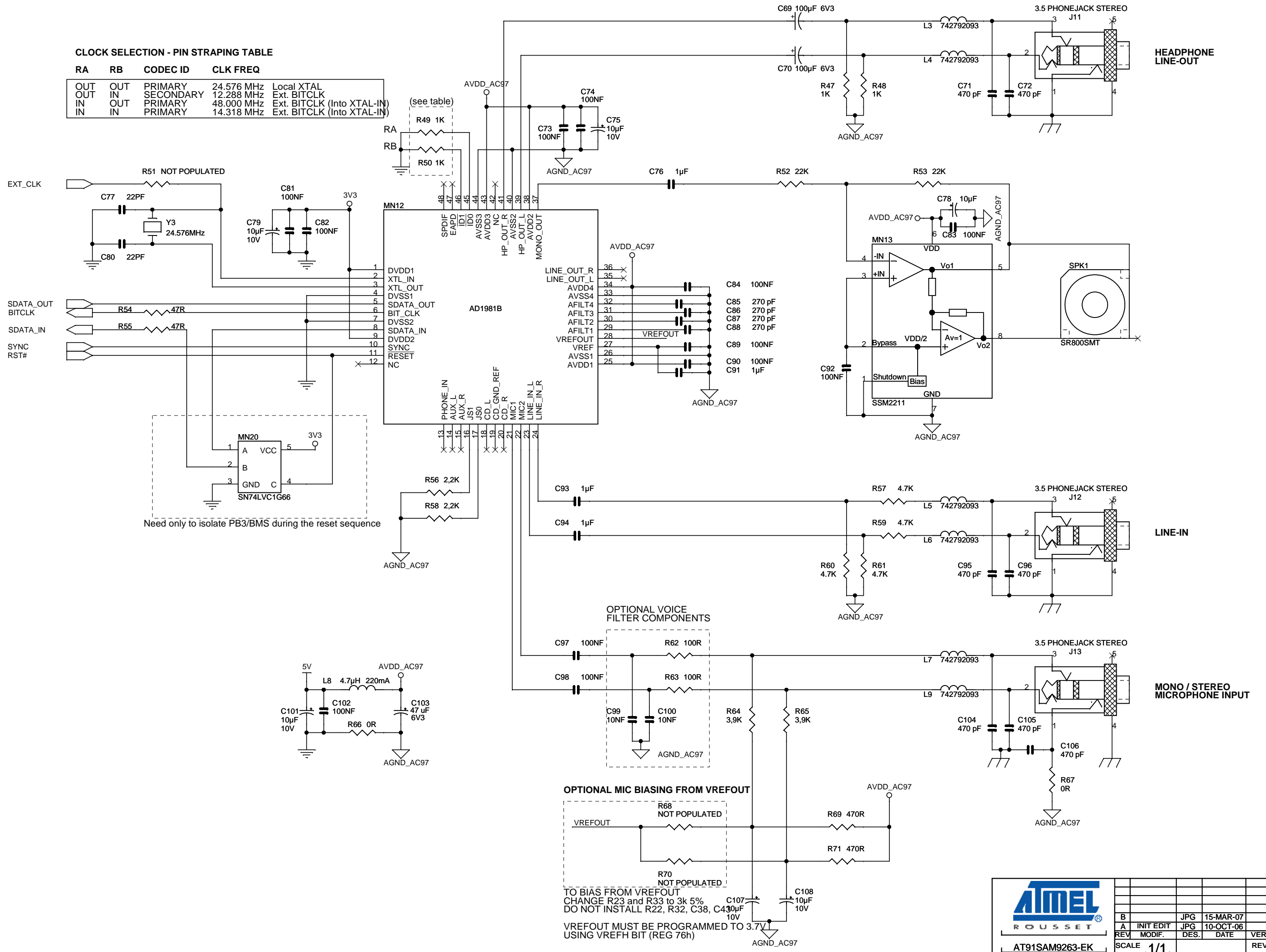
ATMEL ROUSSET						
B		JPG	15-MAR-07			
A	INIT EDIT	JPG	10-OCT-06			
REV	MODIF.	DES.	DATE	VER.	DATE	
AT91SAM9263-EK		SCALE	1/1	REV.	SHEET	
EBI1 MEMORY				B	5/11	
This agreement is our property. Reproduction and publication without our written authorization shall expose offender to legal proceedings.						



ATMEL ROUSSET						
B		JPG	15-MAR-07			
A	INIT EDIT	JPG	10-OCT-06			
REV	MODIF.	DES.	DATE	VER.	DATE	
AT91SAM9263-EK		SCALE 1/1		REV.	SHEET	
MCI & TWI				B	6/11	
This agreement is our property. Reproduction and publication without our written authorization shall expose offender to legal proceedings.						

CLOCK SELECTION - PIN STRAPING TABLE

RA	RB	CODEC ID	CLK FREQ	
OUT	OUT	PRIMARY	24.576 MHz	Local XTAL
OUT	IN	SECONDARY	12.288 MHz	Ext. BITCLK
IN	OUT	PRIMARY	48.000 MHz	Ext. BITCLK (Into XTAL-IN)
IN	IN	PRIMARY	14.318 MHz	Ext. BITCLK (Into XTAL-IN)



Need only to isolate PB3/BMS during the reset sequence

OPTIONAL VOICE FILTER COMPONENTS

OPTIONAL MIC BIASING FROM VREFOUT

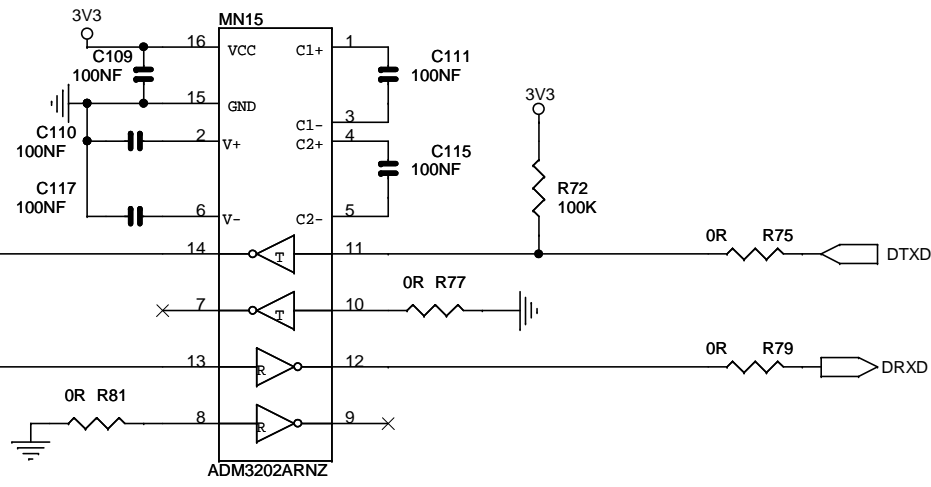
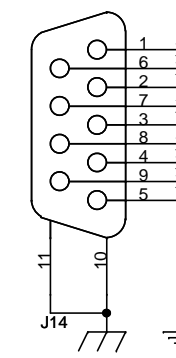
TO BIAS FROM VREFOUT
 CHANGE R23 and R33 to 3k 5%
 DO NOT INSTALL R22, R32, C38, C43
 VREFOUT MUST BE PROGRAMMED TO 3.7V
 USING VREFH BIT (REG 76h)

		REV. A	INIT EDIT	JPG	15-MAR-07	VER.	DATE
		REV. B	MODIF.	JPG	10-OCT-06	REV.	DATE
AT91SAM9263-EK AUDIO AC97		SCALE	1/1			REV.	SHEET
						B	7/11

This agreement is our property. Reproduction and publication without our written authorization shall expose offender to legal proceedings.

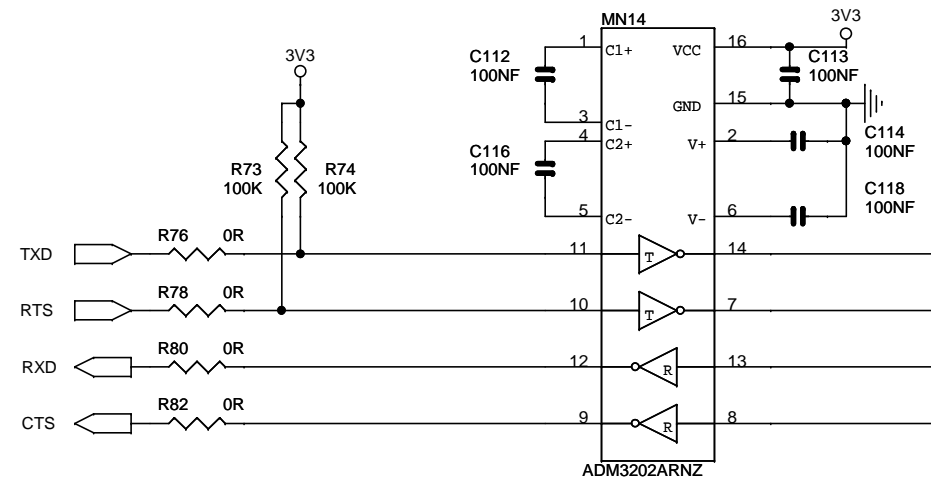
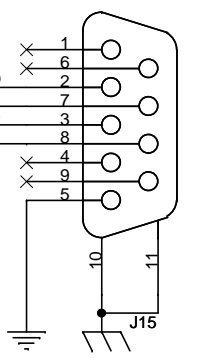
SERIAL DEBUG PORT

MALE RIGHT ANGLE

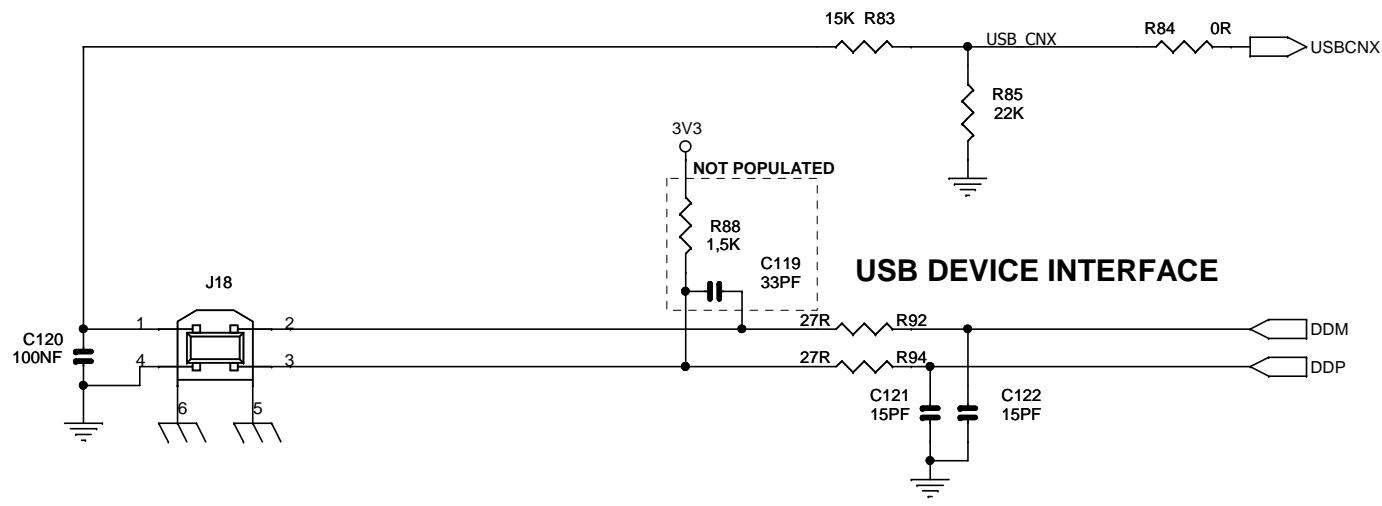


RS232 COM PORT

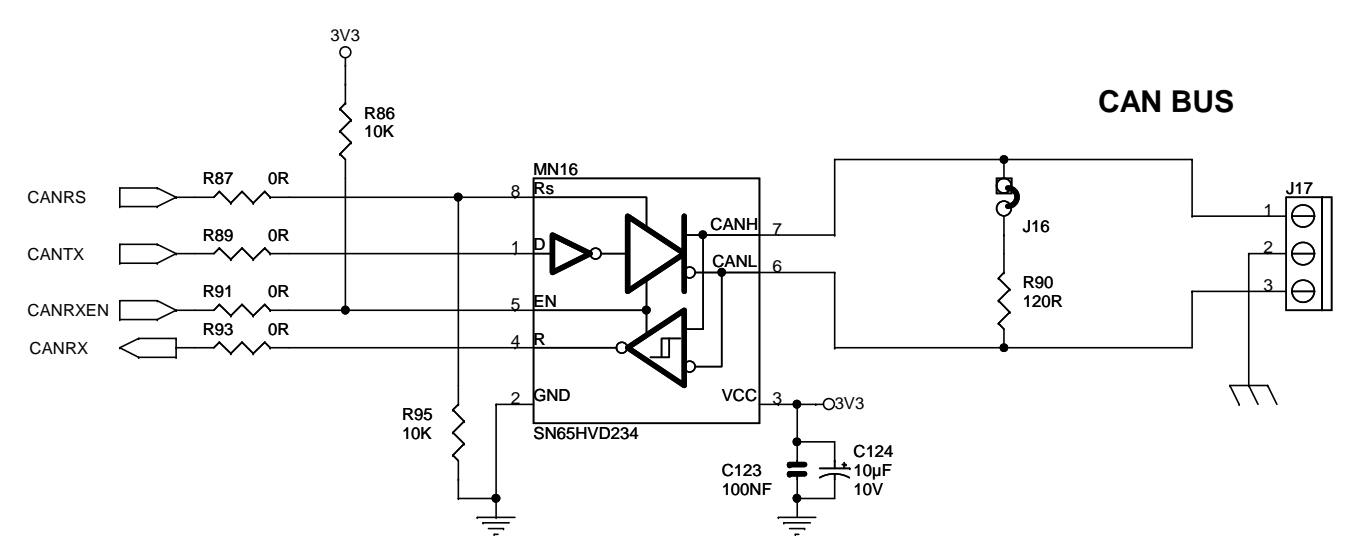
MALE RIGHT ANGLE



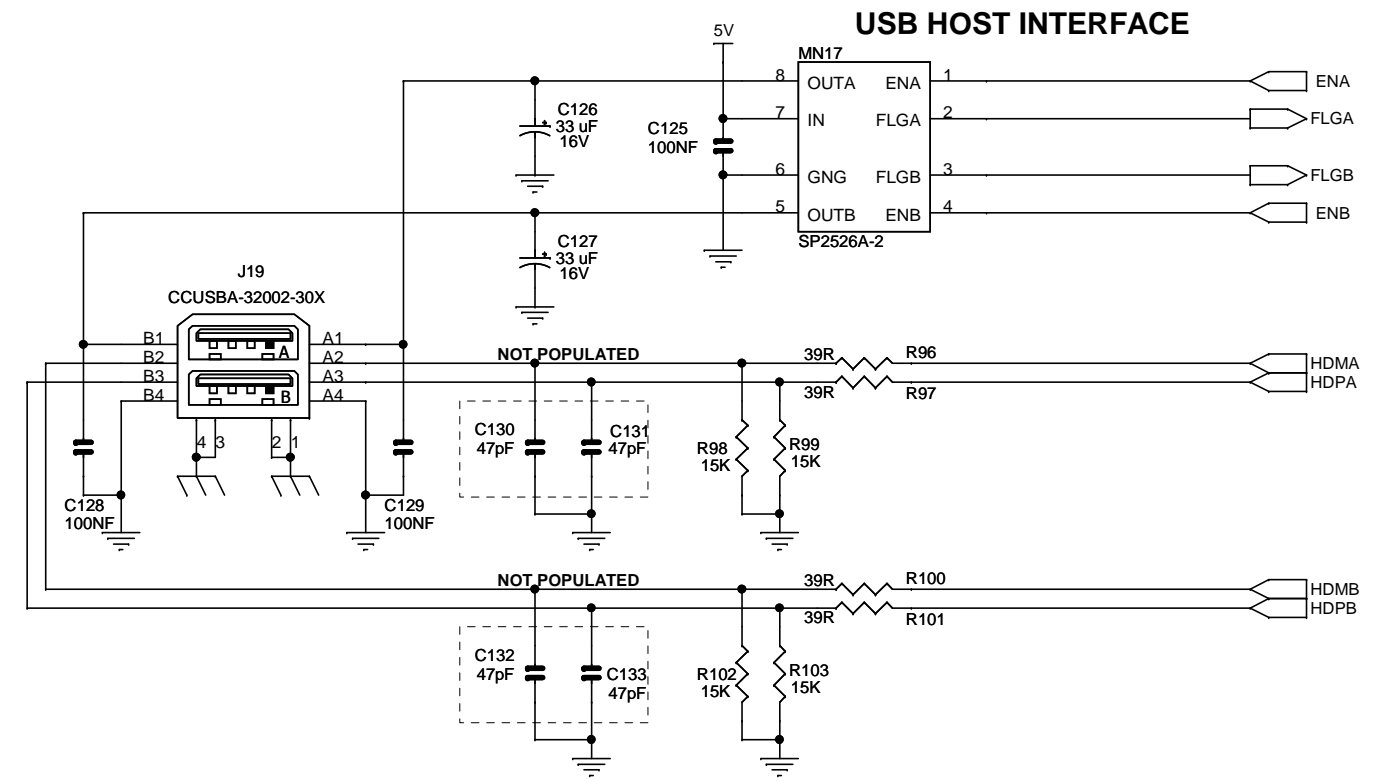
USB DEVICE INTERFACE



CAN BUS

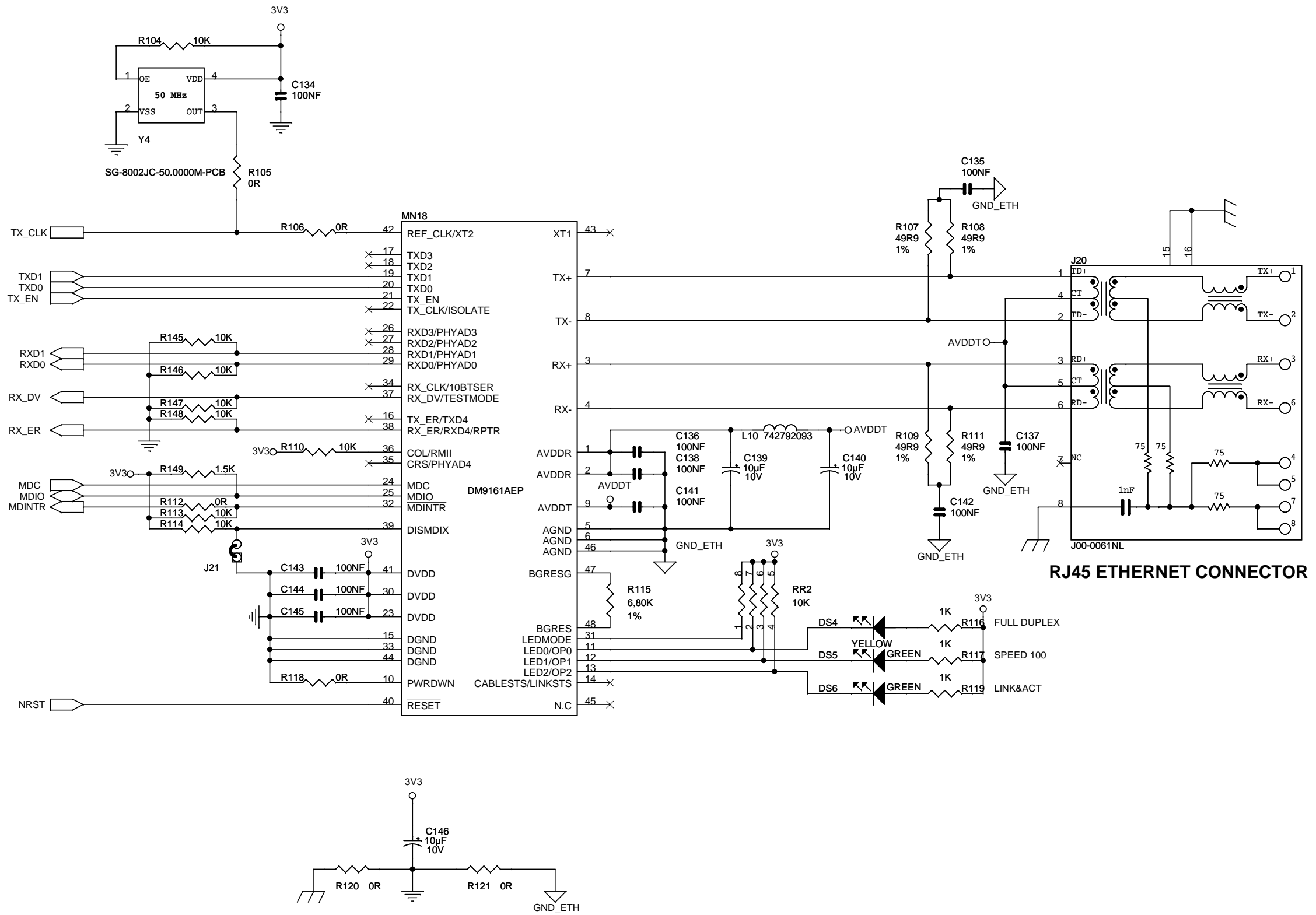


USB HOST INTERFACE



ATMEL					
ROUSSET					
REV. B	INIT EDIT	JPG	15-MAR-07	VER.	DATE
REV. A	MODIF.	JPG	10-OCT-06	REV. B	DATE
AT91SAM9263-EK		SCALE 1/1			
SERIAL INTERFACES					
				SHEET 8/11	

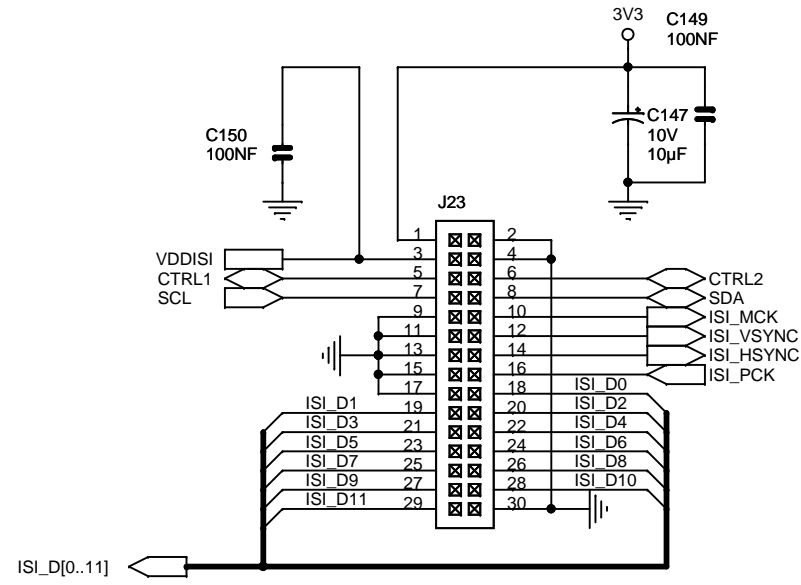
This agreement is our property. Reproduction and publication without our written authorization shall expose offender to legal proceedings.



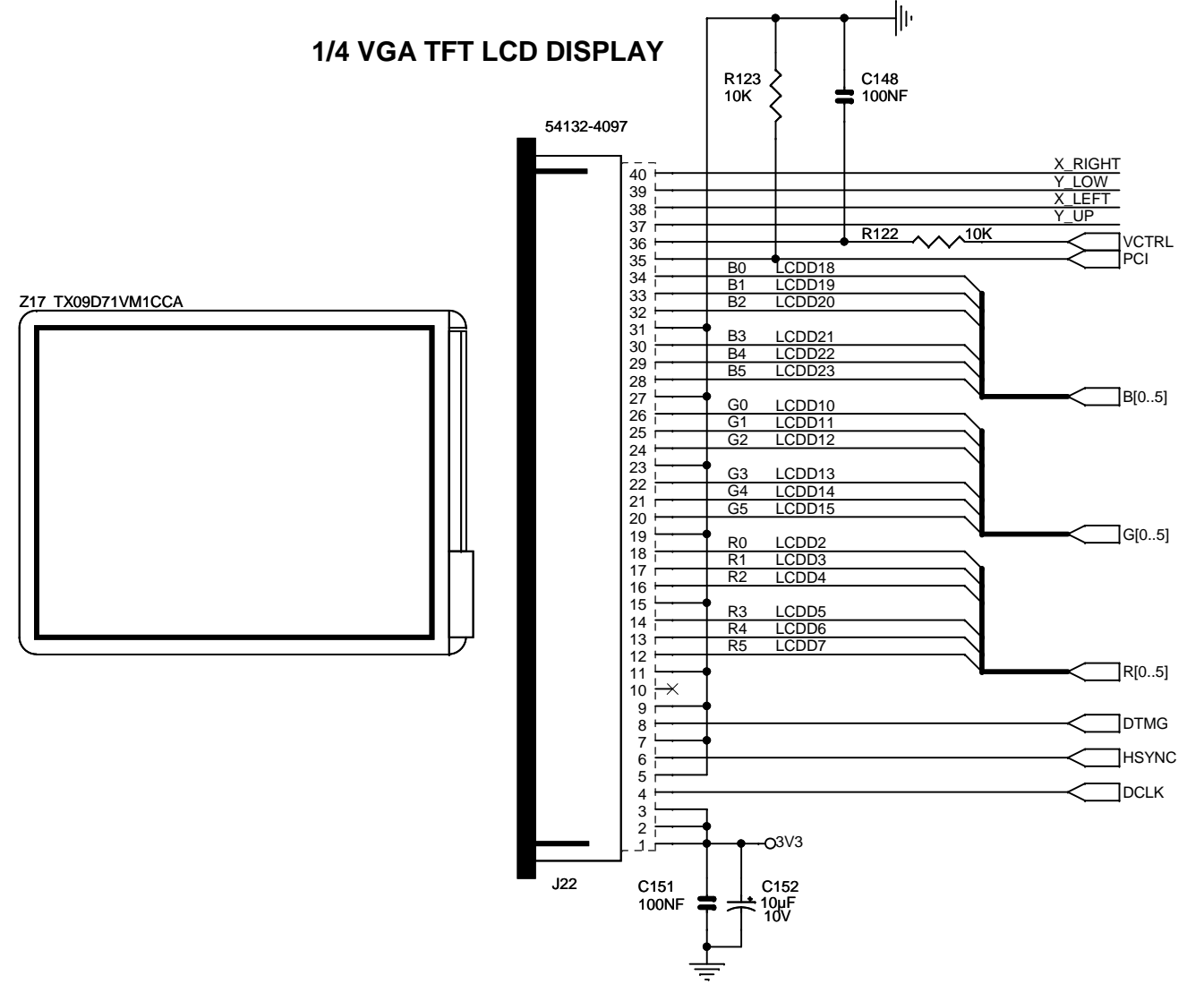
RJ45 ETHERNET CONNECTOR

B		JPG	15-MAR-07		
A	INIT EDIT	JPG	10-OCT-06		
REV	MODIF.	DES.	DATE	VER.	DATE
AT91SAM9263-EK		SCALE	1/1	REV.	SHEET
RMII ETHERNET				B	9/11
<small>This agreement is our property. Reproduction and publication without our written authorization shall expose offender to legal proceedings.</small>					

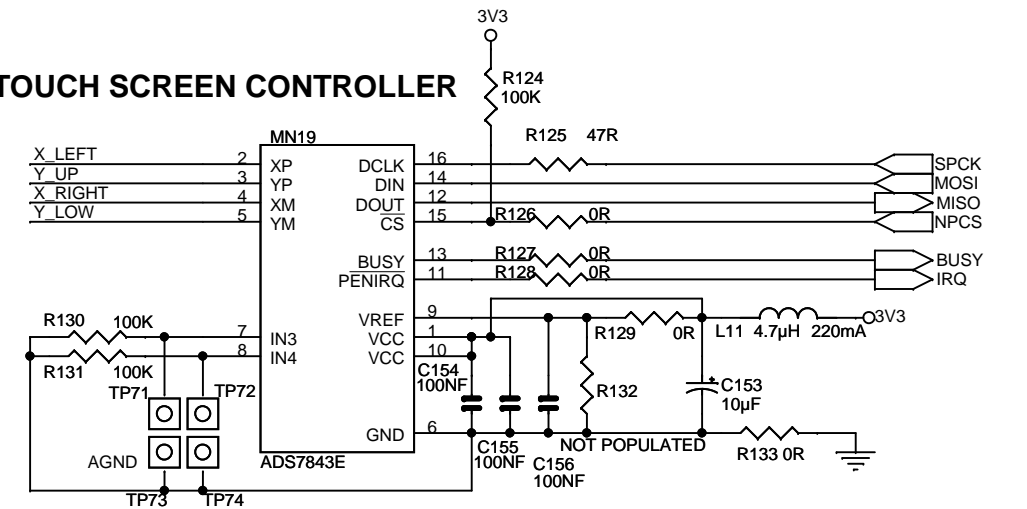
IMAGE SENSOR CONNECTOR



1/4 VGA TFT LCD DISPLAY



TOUCH SCREEN CONTROLLER



TWO USER'S ANALOG INPUTS
Full-Scale Input Span 0 to VREF

ATMEL						
ROUSSET						
AT91SAM9263-EK						
LCD & ISI						
B		JPG	15-MAR-07			
A	INIT EDIT	JPG	10-OCT-06			
REV	MODIF.	DES.	DATE	VER.	DATE	
SCALE	1/1			REV.	SHEET	
				B	10/11	



6.1 BMS Signal Sampling

The following behavior and its consequences are related to an AT91SAM9263 device issue described in the Errata section of the [AT91SAM9263 datasheet](#) (“BMS: BMS does not have correct state”). The text below is a reminder of this issue and a Workaround proposal at the board level.

Description

The BMS signal, which is multiplexed with the PB3/AC97RX PIO needs to be sampled at a High Level for the AT91SAM9263 microcontroller to boot out of the internal ROM.

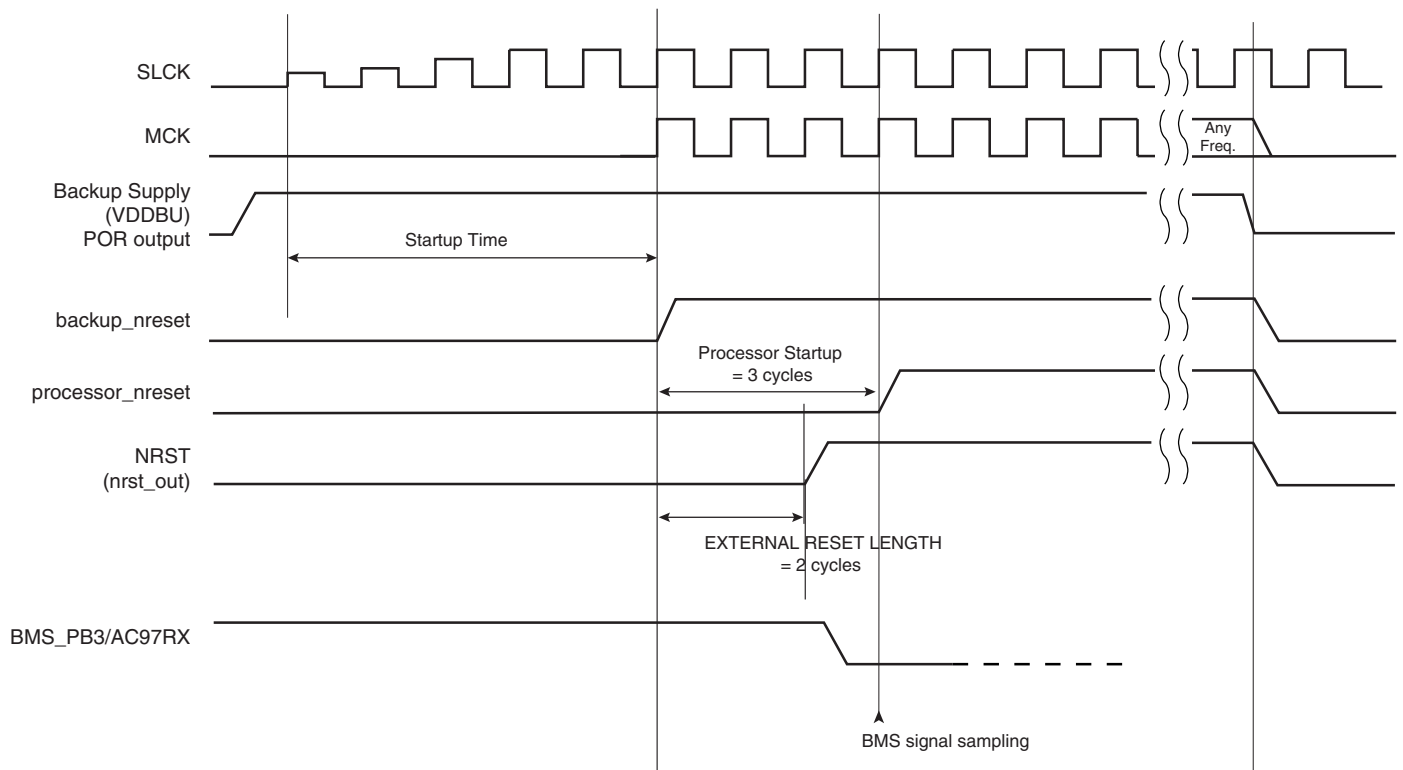
At power up, the on-board AC97 device negates its “SDATA_IN” output pin and due to this fact, the BMS_PB3/AC97RX pin needs to be isolated during the reset phase.

The MN20 gate, controlled by the NRST signal, achieves this, but with the default ERSTL value in the reset controller (refer to the RSTC section in the [AT91SAM9263 datasheet](#) for more details), when the VDDBU power supply is applied for more than 1.2 seconds before the VDDCORE power supply, the AT91SAM9263 microcontroller samples the BMS signal one Slow Clock (SLCK) cycle after the NRST signal rising (See [Figure 6-1](#)).

As a result, the BMS signal is sampled at a Low Level and the AT91SAM9263 boots out of the external EBI device connected to NCS0.

Warning

Figure 6-1. BMS Signal Sampling



Workaround:

At the first VDDBU power up or if this power supply has been shut down (J4-1 opened (VDDBU/VDDBACKUP Jumper) or the CR1225 battery cell (J3) removed or changed), the following power-up sequence has to be applied in order to boot out of the internal ROM:

1. Close J2 to force power on
2. Open J5 (Boot Mode Select Jumper)
3. Power on the board
4. Remove and replace J4-1 (VDDBU/VDDBACKUP Jumper)



Section 7

Revision History

7.1 Revision History

Table 7-1.

Document	Comments	Change Request Ref.
6341A	First issue.	



Headquarters

Atmel Corporation
2325 Orchard Parkway
San Jose, CA 95131
USA
Tel: 1(408) 441-0311
Fax: 1(408) 487-2600

International

Atmel Asia
Room 1219
Chinachem Golden Plaza
77 Mody Road Tsimshatsui
East Kowloon
Hong Kong
Tel: (852) 2721-9778
Fax: (852) 2722-1369

Atmel Europe
Le Krebs
8, Rue Jean-Pierre Timbaud
BP 309
78054 Saint-Quentin-en-
Yvelines Cedex
France
Tel: (33) 1-30-60-70-00
Fax: (33) 1-30-60-71-11

Atmel Japan
9F, Tonetsu Shinkawa Bldg.
1-24-8 Shinkawa
Chuo-ku, Tokyo 104-0033
Japan
Tel: (81) 3-3523-3551
Fax: (81) 3-3523-7581

Product Contact

Web Site
www.atmel.com
www.atmel.com/AT91SAM

Technical Support
[AT91SAM Support](http://www.atmel.com/AT91SAM_Support)

Sales Contacts
www.atmel.com/contacts/

Literature Requests
www.atmel.com/literature

Disclaimer: The information in this document is provided in connection with Atmel products. No license, express or implied, by estoppel or otherwise, to any intellectual property right is granted by this document or in connection with the sale of Atmel products. **EXCEPT AS SET FORTH IN ATMEL'S TERMS AND CONDITIONS OF SALE LOCATED ON ATMEL'S WEB SITE, ATMEL ASSUMES NO LIABILITY WHATSOEVER AND DISCLAIMS ANY EXPRESS, IMPLIED OR STATUTORY WARRANTY RELATING TO ITS PRODUCTS INCLUDING, BUT NOT LIMITED TO, THE IMPLIED WARRANTY OF MERCHANTABILITY, FITNESS FOR A PARTICULAR PURPOSE, OR NON-INFRINGEMENT. IN NO EVENT SHALL ATMEL BE LIABLE FOR ANY DIRECT, INDIRECT, CONSEQUENTIAL, PUNITIVE, SPECIAL OR INCIDENTAL DAMAGES (INCLUDING, WITHOUT LIMITATION, DAMAGES FOR LOSS OF PROFITS, BUSINESS INTERRUPTION, OR LOSS OF INFORMATION) ARISING OUT OF THE USE OR INABILITY TO USE THIS DOCUMENT, EVEN IF ATMEL HAS BEEN ADVISED OF THE POSSIBILITY OF SUCH DAMAGES.** Atmel makes no representations or warranties with respect to the accuracy or completeness of the contents of this document and reserves the right to make changes to specifications and product descriptions at any time without notice. Atmel does not make any commitment to update the information contained herein. Unless specifically provided otherwise, Atmel products are not suitable for, and shall not be used in, automotive applications. Atmel's products are not intended, authorized, or warranted for use as components in applications intended to support or sustain life.



© 2007 Atmel Corporation. All rights reserved. Atmel®, logo and combinations thereof, DataFlash® and others are registered trademarks or trademarks of Atmel Corporation or its subsidiaries. ARM®, the ARMPowered® logo, Thumb® and others are the registered trademarks or trademarks of ARM Ltd. Other terms and product names may be trademarks of others.